



SWEBOLT AB

Skruvartiklar för varje ändamål !

Järfälla 08 - 555 975 00

Tranås 0140 - 36 23 00

www.SWEBOLT.se

info@swebolt.se

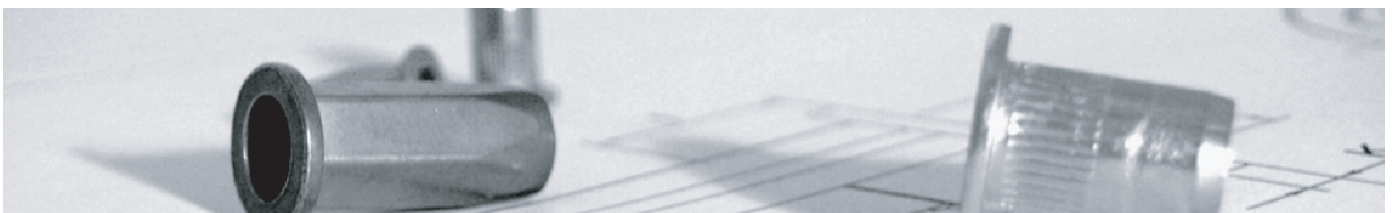
tranas@swebolt.se

Blindnit & Nitmutter

Infästning i toppklass!

Vi lagerhåller ett kvalitativt och brett sortiment med blindnit och nitmutter.

Exkl moms. Datum 2015-08-20



THE QUALITY IN RIVETS

Manufacturing and distribution of rivets, insert nuts and riveting tools

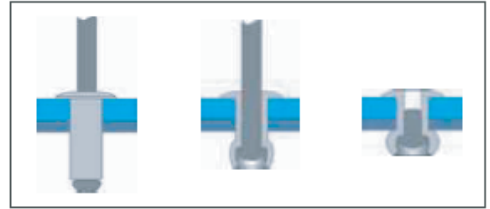
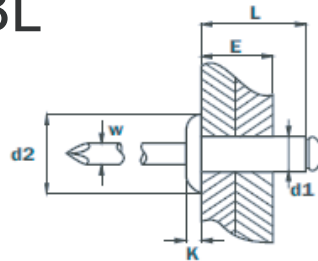


SB Technical products

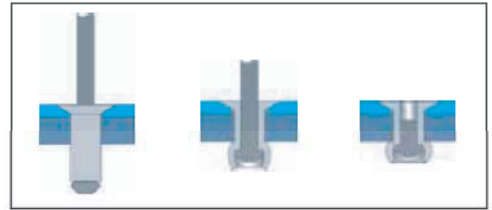
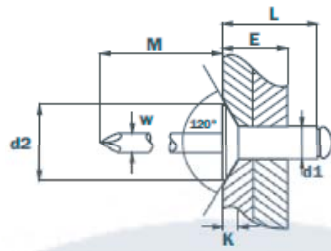
SWEBOLT - BOTNIA BOLT



Standardnit KBL

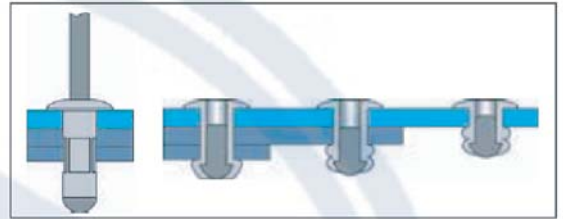
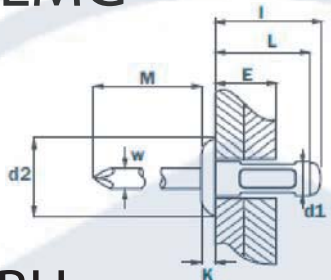


Försänkt FBL



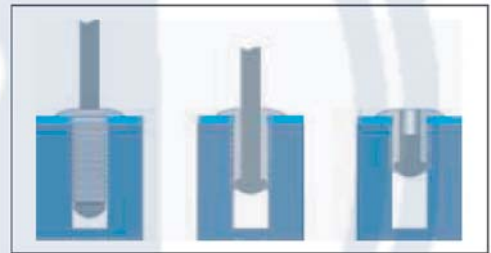
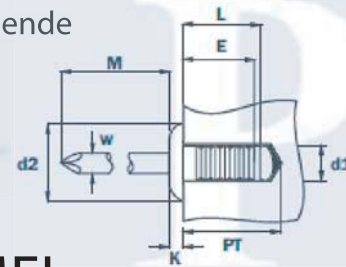
Multigrip KBLMG

För stora greppområden



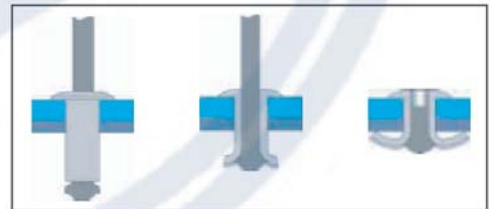
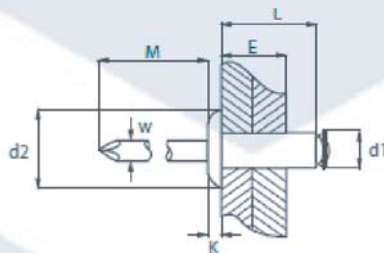
Bottenhål KBLBH

där hålet inte är genomgående

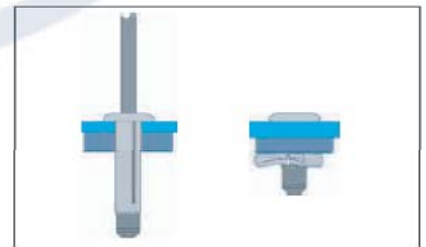
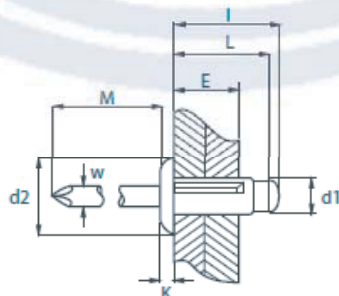


Splitnit KBLSMEL

För mjuka material

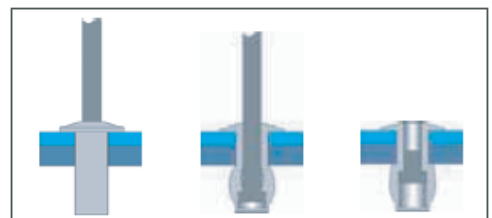
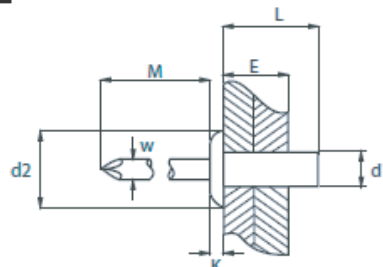


Rosettnit RKBL



Trycktät TKBL

Sluten ände

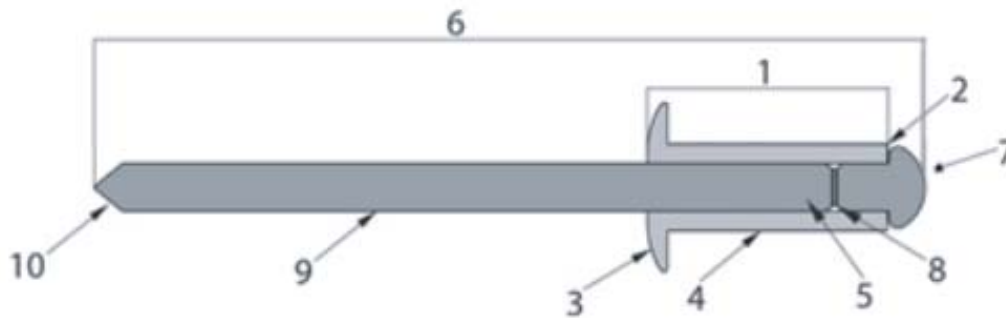




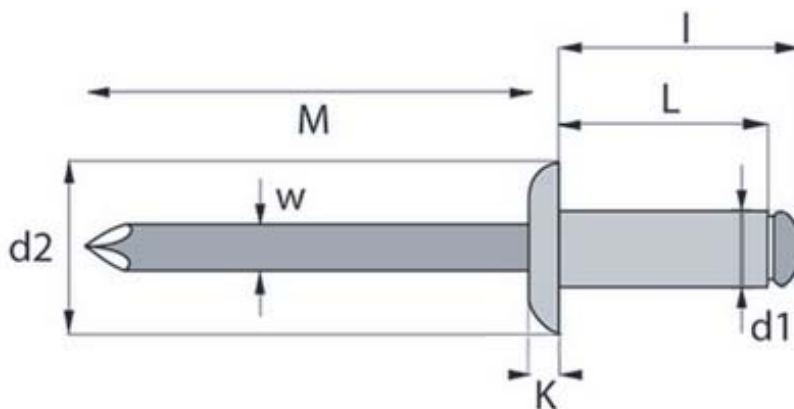
Så funkar det!

Nitens uppbyggnad

Exkl moms. Datum 2015-08-20



- | | |
|-----------------------------------|-----------------------------|
| 1. Nitkropp | 6. Splint, totala längden |
| 2. Nitkroppens slut | 7. Splinthusud |
| 3. Nithuvud | 8. Splintens brottanvisning |
| 4. Kroppens cylindriska del | 9. Splintkropp |
| 5. Cylindrisk innerdel av kroppen | 10. Splintens ände |



- | | |
|-----------------------------|-----------------------------|
| l = Totallängd nit | k = Nithuvudets höjd |
| L = Nitlängd | w = Splintens diameter |
| $d1$ = Nitens diameter | M = Splintens grepp/längd |
| $d2$ = Nithuvudets diameter | |



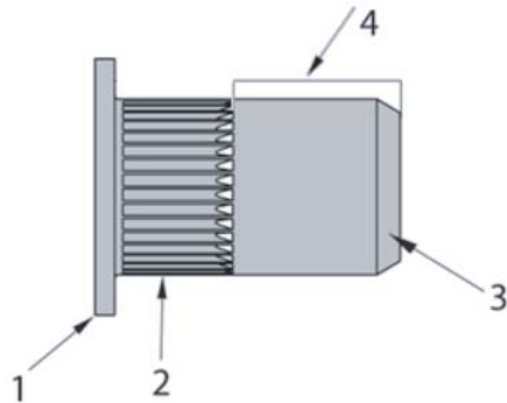


Så funkar det!

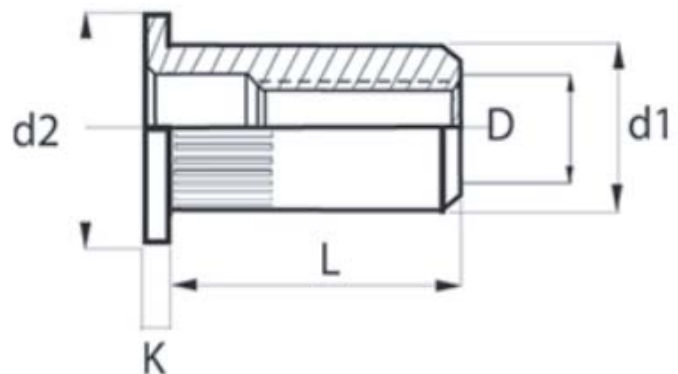
Nitmutterns uppbyggnad

Exkl moms. Datum 2015-08-20

1. Huvud
2. Nitområde
3. Kroppens ände med fas
4. Nitområde som deformerar



- L = Nitmutterns längd
- d1 = Ytterdiameter
- d2 = Huvudets diameter
- D = Gängdiameter
- K = Huvudets höjd

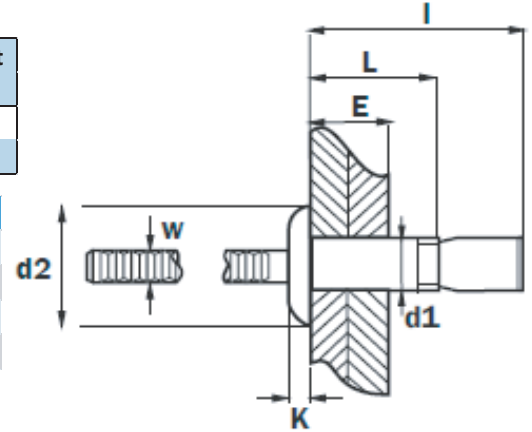




MONO-bolt KONSTRUKTIONSNIT ALUMINIUM, PLANT HUVUD

d1 mm	Borrdiam mm	d2 mm	K mm	W mm	Tvärkraft N	Draglast N
4.8	4.9-5.1	9.6	1.7	3.0	2930	2550
6.5	6.6-7.0	13.0	2.5	4.0	6000	4200

ARTNR	BENÄMNING	FÖRP	GREPP
11394048100	MONOK-AL/AL 4.8x10.3	2000	GREPP=1.5-6.8mm
11394048130	MONOK-AL/AL 4.8x13.5	1500	GREPP=1.5-11.0mm
11394065140	MONOK-AL/AL 6.5x14	1000	GREPP=1.0-9.5mm
11394065200	MONOK-AL/AL 6.5x20	1000	GREPP=2.0-16.0mm



Exkl moms. Datum 2015-08-20

STÅL, PLANT HUVUD

d1 mm	Borrdiam mm	d2 mm	K mm	W mm	Tvärkraft N	Draglast N
4.8	4.9-5.1	9.7	1.8	3.0	6400	5100
6.5	6.6-7.0	13.0	2.5	4.0	11700	10400
9.7	9.9-10.4	20.0	3.7	5.9	26300	17500

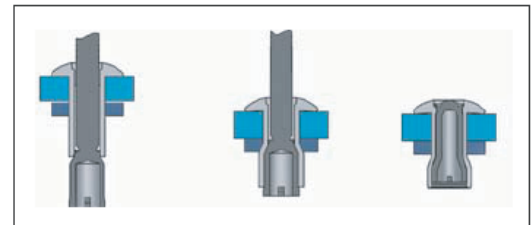
ARTNR	BENÄMNING	FÖRP	GREPP
11394448100	MONOK-ST/ST 4.8x10.3	2000	GREPP=1.5-6.8mm
11394448140	MONOK-ST/ST 4.8x13.5	1500	GREPP=1.5-11.0mm
11394465140	MONOK-ST/ST 6.5x14	1000	GREPP=1.0-9.5mm
11394465200	MONOK-ST/ST 6.5x20	1000	GREPP=2.0-16.0mm
11394465220	MONOK-ST/ST 6.5x22	1000	GREPP=6.0-18.0mm
11394497220	MONOK-ST/ST 9.7x22	300	GREPP=3.0-15.0mm



ROSTFRI, PLANT HUVUD

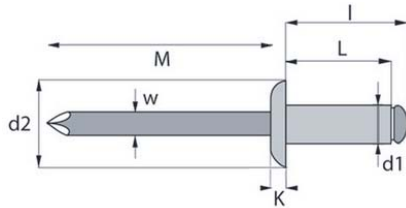
d1 mm	Borrdiam mm	d2 mm	K mm	W mm	Tvärkraft N	Draglast N
4.8	4.9-5.1	9.7	1.8	3.0	5800	5000
6.5	6.6-7.0	13.0	2.5	4.0	11700	10400

ARTNR	BENÄMNING	FÖRP	GREPP
21394448103	MONORK-A2/A2 4.8x10.3	2000	GREPP=1.5-6.8mm
21394448135	MONORK-A2/A2 4.8x13.5	1500	GREPP=1.5-11mm
21394465140	MONORK-A2/A2 6.5x14	1000	GREPP=2.0-9.5mm
21394465200	MONORK-A2/A2 6.5x20	1000	GREPP=2.0-16.0mm





Standard Aluminium/Stål



d1 mm	Borrdiam mm	d2 mm	K mm	W mm	Tvärlast N	Draglast N
2.4	2.5	5	0.6	1.45	350	550
3.0	3.1	6	1	1.8	550	850
3.2	3.3	6.4	1	1.8	750	1100
4.0	4.1	8	1.4	2.2	1250	1800
4.8	4.9	9.5	1.5	2.65	1850	2600
5.0	5.1	9.5	1.6	2.65	2150	3100
6.0	6.1	12	1.8	3.2	3200	4600
6.4	6.5	13	2.2	3.6	3800	4800
7.8	8	14	2.2	3.6	6000	6500

Exkl moms. Datum 2015-08-20

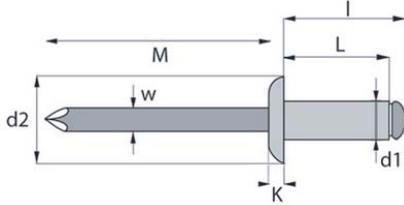
ARTNR	BENÄMNING	FÖRP	GREPPOMRÅDE
11320024040	KBL-AL/ST 2.4x4	1000	GREPP=0.5-2.0mm
11320024060	KBL-AL/ST 2.4x6	1000	GREPP=2.0-4.0mm
11320024080	KBL-AL/ST 2.4x8	1000	GREPP=4.0-6.0mm
11320024100	KBL-AL/ST 2.4x10	1000	GREPP=6.0-8.0mm
11320024120	KBL-AL/ST 2.4x12	1000	GREPP=8.0-9.5mm
11320030050	KBL-AL/ST 3.0x5	500	GREPP=0.5-2.5mm
11320030060	KBL-AL/ST 3.0x6	500	GREPP=1.5-3.5mm
11320030070	KBL-AL/ST 3.0x7	500	GREPP=1.5-4.5mm
11320030080	KBL-AL/ST 3.0x8	500	GREPP=3.5-5mm
11320030100	KBL-AL/ST 3.0x10	500	GREPP=5.0-7.0mm
11320030120	KBL-AL/ST 3.0x12	500	GREPP=7.0-9.0mm
11320030140	KBL-AL/ST 3.0x14	500	GREPP=9.0-11.0mm
11320030160	KBL-AL/ST 3.0x16	500	GREPP=11.0-13.0mm
11320030180	KBL-AL/ST 3.0x18	500	GREPP=13.0-15.0mm
11320032040	KBL-AL/ST 3.2x4	500	GREPP=0.5-1.5mm
11320032050	KBL-AL/ST 3.2x5	500	GREPP=0.5-2.5mm
11320032060	KBL-AL/ST 3.2x6	500	GREPP=1.5-3.5mm
11320032080	KBL-AL/ST 3.2x8	500	GREPP=3.5-5.0mm
11320032100	KBL-AL/ST 3.2x10	500	GREPP=5.0-7.0mm
11320032120	KBL-AL/ST 3.2x12	500	GREPP=7.0-9.0mm
11320032150	KBL-AL/ST 3.2x15	500	GREPP=9.0-12.0mm
11320032180	KBL-AL/ST 3.2x18	500	GREPP=12.0-15.0mm
11320032200	KBL-AL/ST 3.2x20	500	GREPP=15.0-17.0mm
11320040050	KBL-AL/ST 4.0x5	500	GREPP=0.5-2.5mm
11320040060	KBL-AL/ST 4.0x6	500	GREPP=1.0-3.5mm
11320040070	KBL-AL/ST 4.0x7	500	GREPP=3.0-4.5mm
11320040080	KBL-AL/ST 4.0x8	500	GREPP=3.0-5.0mm
11320040100	KBL-AL/ST 4.0x10	500	GREPP=5.0-6.5mm
11320040120	KBL-AL/ST 4.0x12	500	GREPP=6.5-8.5mm
11320040140	KBL-AL/ST 4.0x14	500	GREPP=8.5-10.5mm
11320040160	KBL-AL/ST 4.0x16	500	GREPP=10.5-12.5mm
11320040180	KBL-AL/ST 4.0x18	500	GREPP=12.5-14.5mm
11320040200	KBL-AL/ST 4.0x20	500	GREPP=14.5-16.5mm
11320040250	KBL-AL/ST 4.0x25	250	GREPP=16.5-21.5mm
11320040300	KBL-AL/ST 4.0x30	250	GREPP=21.5-26.0mm
11320048060	KBL-AL/ST 4.8x6	500	GREPP=0.5-3.0mm
11320048080	KBL-AL/ST 4.8x8	500	GREPP=3.0-4.5mm
11320048100	KBL-AL/ST 4.8x10	500	GREPP=4.5-6.0mm
11320048120	KBL-AL/ST 4.8x12	500	GREPP=6.0-8.0mm
11320048140	KBL-AL/ST 4.8x14	250	GREPP=8.0-10.0mm
11320048160	KBL-AL/ST 4.8x16	250	GREPP=10.0-12.0mm

ARTNR	BENÄMNING	FÖRP	GREPPOMRÅDE
11320048180	KBL-AL/ST 4.8x18	250	GREPP=12.0-14.0mm
11320048210	KBL-AL/ST 4.8x21	250	GREPP=14.0-17.0mm
11320048240	KBL-AL/ST 4.8x24	200	GREPP=17.0-20.0mm
11320048270	KBL-AL/ST 4.8x27	200	GREPP=20.0-23.0mm
11320048300	KBL-AL/ST 4.8x30	200	GREPP=23.0-25.0mm
11320048320	KBL-AL/ST 4.8x32	150	GREPP=25.0-27.0mm
11320048350	KBL-AL/ST 4.8x35	150	GREPP=27.0-30.0mm
11320048400	KBL-AL/ST 4.8x40	150	GREPP=30.0-35.0mm
11320048450	KBL-AL/ST 4.8x45	100	GREPP=35.0-40.0mm
11320048500	KBL-AL/ST 4.8x50	100	GREPP=40.0-45.0mm
11320050060	KBL-AL/ST 5.0x6	500	GREPP=0.5-3.0mm
11320050080	KBL-AL/ST 5.0x8	500	GREPP=3.0-4.5mm
11320050100	KBL-AL/ST 5.0x10	500	GREPP=4.5-6.0mm
11320050120	KBL-AL/ST 5.0x12	500	GREPP=6.0-8.0mm
11320050140	KBL-AL/ST 5.0x14	500	GREPP=8.0-10.0mm
11320050160	KBL-AL/ST 5.0x16	250	GREPP=10.0-12.0mm
11320050180	KBL-AL/ST 5.0x18	250	GREPP=12.0-14.0mm
11320050200	KBL-AL/ST 5.0x20	250	GREPP=14.0-16.0mm
11320050250	KBL-AL/ST 5.0x25	200	GREPP=16.0-21.0mm
11320050300	KBL-AL/ST 5.0x30	200	GREPP=21.0-25.0mm
11320050350	KBL-AL/ST 5.0x35	150	GREPP=25.0-30.0mm
11320050400	KBL-AL/ST 5.0x40	150	GREPP=30.0-35.0mm
11320050450	KBL-AL/ST 5.0x45	100	GREPP=35.0-40.0mm
11320050500	KBL-AL/ST 5.0x50	100	GREPP=40.0-45.0mm
11320060080	KBL-AL/ST 6.0x8	250	GREPP=2.0-3.0mm
11320060100	KBL-AL/ST 6.0x10	250	GREPP=3.0-5.0mm
11320060120	KBL-AL/ST 6.0x12	250	GREPP=5.0-7.0mm
11320060140	KBL-AL/ST 6.0x14	250	GREPP=7.0-9.0mm
11320060160	KBL-AL/ST 6.0x16	250	GREPP=9.0-11.0mm
11320060180	KBL-AL/ST 6.0x18	200	GREPP=11.0-13.0mm
11320060200	KBL-AL/ST 6.0x20	200	GREPP=13.0-15.0mm
11320060250	KBL-AL/ST 6.0x25	200	GREPP=15.0-20.0mm
11320060300	KBL-AL/ST 6.0x30	150	GREPP=20.0-25.0mm
11320060350	KBL-AL/ST 6.0x35	100	GREPP=25.0-30.0mm
11320064120	KBL-AL/ST 6.4x12	250	GREPP=3.0-6.0mm
11320064150	KBL-AL/ST 6.4x15	250	GREPP=6.0-9.0mm
11320064180	KBL-AL/ST 6.4x18	200	GREPP=9.0-12.0mm
11320064220	KBL-AL/ST 6.4x22	200	GREPP=12.0-16.0mm
11320064260	KBL-AL/ST 6.4x26	150	GREPP=16.0-20.0mm
11320064300	KBL-AL/ST 6.4x30	150	GREPP=20.0-24.0mm
11320064350	KBL-AL/ST 6.4x35	100	GREPP=24.0-29.0mm
11320064500	KBL-AL/ST 6.4x50	500	GREPP=29.0-42.0mm





Standard Aluminium/Stål LACKERAD



d1 mm	Borrdiam mm	d2 mm	K mm	W mm	Tvärlast N	Draglast N
2.4	2.5	5	0.6	1.45	350	550
3.0	3.1	6	1	1.8	550	850
3.2	3.3	6.4	1	1.8	750	1100
4.0	4.1	8	1.4	2.2	1250	1800
4.8	4.9	9.5	1.5	2.65	1850	2600
5.0	5.1	9.5	1.6	2.65	2150	3100
6.0	6.1	12	1.8	3.2	3200	4600
6.4	6.5	13	2.2	3.6	3800	4800
7.8	8	14	2.2	3.6	6000	6500

Exkl moms. Datum 2015-08-20

VIT RAL 9010

ARTNR	BENÄMNING	FÖRP
11322132060	KBL-AL/ST 3.2x6 VIT	500
11322132080	KBL-AL/ST 3.2x8 VIT	500
11322132100	KBL-AL/ST 3.2x10 VIT	500
11322132120	KBL-AL/ST 3.2x12 VIT	500
11322132150	KBL-AL/ST 3.2x15 VIT	500
11322132180	KBL-AL/ST 3.2x18 VIT	500
11322140060	KBL-AL/ST 4.0x6 VIT	500
11322140080	KBL-AL/ST 4.0x8 VIT	500
11322140100	KBL-AL/ST 4.0x10 VIT	500
11322140120	KBL-AL/ST 4.0x12 VIT	500
11322140140	KBL-AL/ST 4.0x14 VIT	500
11322140160	KBL-AL/ST 4.0x16 VIT	500
11322140180	KBL-AL/ST 4.0x18 VIT	500
11322140200	KBL-AL/ST 4.0x20 VIT	500
11322140250	KBL-AL/ST 4.0x25 VIT	250
11322140300	KBL-AL/ST 4.0x30 VIT	250
11322148060	KBL-AL/ST 4.8x6 VIT	500
11322148080	KBL-AL/ST 4.8x8 VIT	500
11322148100	KBL-AL/ST 4.8x10 VIT	500
11322148120	KBL-AL/ST 4.8x12 VIT	500
11322148140	KBL-AL/ST 4.8x14 VIT	250
11322148160	KBL-AL/ST 4.8x16 VIT	250
11322148180	KBL-AL/ST 4.8x18 VIT	250
11322148210	KBL-AL/ST 4.8x21 VIT	250
11322148240	KBL-AL/ST 4.8x24 VIT	200
11322148270	KBL-AL/ST 4.8x27 VIT	200
11322148300	KBL-AL/ST 4.8x30 VIT	200
11322148350	KBL-AL/ST 4.8x35 VIT	150

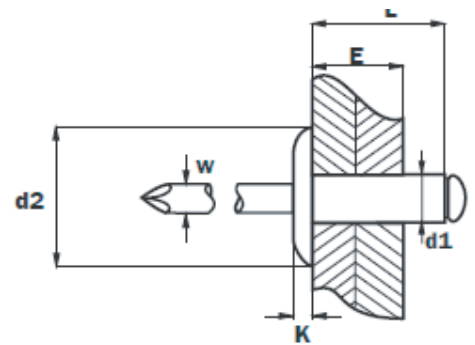
SVART RAL 9005

ARTNR	BENÄMNING	FÖRP
11322232060	KBL-AL/ST 3.2x6 SVART	500
11322232080	KBL-AL/ST 3.2x8 SVART	500
11322232100	KBL-AL/ST 3.2x10 SVART	500
11322232120	KBL-AL/ST 3.2x12 SVART	500
11322232150	KBL-AL/ST 3.2x15 SVART	500
11322232180	KBL-AL/ST 3.2x18 SVART	500
11322240080	KBL-AL/ST 4.0x8 SVART	500
11322240100	KBL-AL/ST 4.0x10 SVART	500
11322240120	KBL-AL/ST 4.0x12 SVART	500
11322240140	KBL-AL/ST 4.0x14 SVART	500
11322240160	KBL-AL/ST 4.0x16 SVART	500
11322240180	KBL-AL/ST 4.0x18 SVART	500
11322240200	KBL-AL/ST 4.0x20 SVART	500
11322240250	KBL-AL/ST 4.0x25 SVART	250
11322248100	KBL-AL/ST 4.8x10 SVART	500
11322248120	KBL-AL/ST 4.8x12 SVART	500
11322248140	KBL-AL/ST 4.8x14 SVART	250
11322248160	KBL-AL/ST 4.8x16 SVART	250
11322248180	KBL-AL/ST 4.8x18 SVART	250
11322248210	KBL-AL/ST 4.8x21 SVART	250
11322248240	KBL-AL/ST 4.8x24 SVART	200
11322248270	KBL-AL/ST 4.8x27 SVART	200
11322248300	KBL-AL/ST 4.8x30 SVART	200



Standard Aluminium/Stål STORT HUVUD

d1 mm	Borrdiam mm	d2 mm	K mm	W mm	Tvärlast N	Draglast N
3.2	3.3	9.	1.1	1.8	750	1100
4.0	4.1	12	1.4	2.2	1250	1800
4.8	4.9	14	1.8	2.65	1850	2600
5.0	5.1	11	1.6	2.65	2150	3100
6.4	6.5	14	1.8	2.65	2150	3100



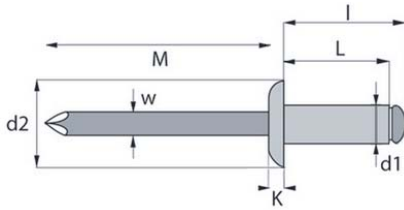
Exkl moms. Datum 2015-08-20

ARTNR	BENÄMNING	FÖRP	GREPP
11335032060	SKBL-AL/ST 3.2x6 d2=9.5mm	500	GREPP=0.5-3.5mm
11335032080	SKBL-AL/ST 3.2x8 d2=9.5mm	500	GREPP=3.5-5.0mm
11335032100	SKBL-AL/ST 3.2x10 d2=9.5mm	500	GREPP=5.0-7.0mm
11335032120	SKBL-AL/ST 3.2x12 d2=9.5mm	500	GREPP=7.0-9.0mm
11335032160	SKBL-AL/ST 3.2x16 d2=9.5mm	500	GREPP=9.0-13.0mm
11335040080	SKBL-AL/ST 4.0x8 d2=12mm	500	GREPP=3.0-5.0mm
11335040100	SKBL-AL/ST 4.0x10 d2=12mm	500	GREPP=5.0-6.5mm
11335040120	SKBL-AL/ST 4.0x12 d2=12mm	250	GREPP=6.5-8.5mm
11335040140	SKBL-AL/ST 4.0x14 d2=12mm	250	GREPP=8.5-10.5mm
11335040160	SKBL-AL/ST 4.0x16 d2=12mm	250	GREPP=10.5-12.5mm
11335040180	SKBL-AL/ST 4.0x18 d2=12mm	250	GREPP=12.5-14.5mm
11335048100	SKBL-AL/ST 4.8x10 d2=14mm	250	GREPP=4.5-6.0mm
11335048120	SKBL-AL/ST 4.8x12 d2=14mm	250	GREPP=6.0-8.0mm
11335048140	SKBL-AL/ST 4.8x14 d2=14mm	250	GREPP=8.0-10.0mm
11335048160	SKBL-AL/ST 4.8x16 d2=14mm	250	GREPP=10.0-12.0mm
11335048180	SKBL-AL/ST 4.8x18 d2=14mm	200	GREPP=12.0-14.0mm
11335048210	SKBL-AL/ST 4.8x21 d2=14mm	200	GREPP=14.0-17.0mm
11335048240	SKBL-AL/ST 4.8x24 d2=14mm	150	GREPP=17.0-20.0mm
11335048270	SKBL-AL/ST 4.8x27 d2=14mm	150	GREPP=20.0-23.0mm
11335048300	SKBL-AL/ST 4.8x30 d2=14mm	150	GREPP=23.0-25.0mm
11335048350	SKBL-AL/ST 4.8x35 d2=14mm	100	GREPP=25.0-30.0mm
11335048400	SKBL-AL/ST 4.8x40 d2=14mm	100	GREPP=30.0-35.0mm
11335048450	SKBL-AL/ST 4.8x45 d2=14mm	100	GREPP=35.0-40.0mm
11335048500	SKBL-AL/ST 4.8x50 d2=14mm	100	GREPP=40.0-45.0mm
11335050080	SKBL-AL/ST 5.0x8 d2=11mm	250	GREPP=3.0-4.5mm
11335050100	SKBL-AL/ST 5.0x10 d2=11mm	250	GREPP=4.5-6.0mm
11335050120	SKBL-AL/ST 5.0x12 d2=11mm	250	GREPP=6.0-8.0mm
11335050140	SKBL-AL/ST 5.0x14 d2=11mm	250	GREPP=8.0-10.0mm
11335050160	SKBL-AL/ST 5.0x16 d2=11mm	250	GREPP=10.0-12.0mm
11335050180	SKBL-AL/ST 5.0x18 d2=11mm	250	GREPP=12.0-14.0mm
11335050200	SKBL-AL/ST 5.0x20 d2=11mm	250	GREPP=14.0-17.0mm
11335050250	SKBL-AL/ST 5.0x25 d2=11mm	200	GREPP=17.0-20.0mm
11335050300	SKBL-AL/ST 5.0x30 d2=11mm	200	GREPP=23.0-25.0mm





Standard Stål/Stål



d1 mm	Borrdiam mm	d2 mm	K mm	W mm	Tvåkraft N	Draglast N
3.0	3.1	6.0	1.0	2.2	950	1100
3.2	3.3	6.4	1.0	2.2	1100	1200
4.0	4.1	8.0	1.3	2.4	1700	2200
4.8	4.9	9.5	1.4	2.93	2900	3100
5.0	5.1	9.5	1.6	2.93	3100	4000
6.0	6.1	12.0	1.8	3.6	4300	4800
6.4	6.5	13.0	2.2	3.85	4900	5700

Exkl moms. Datum 2015-08-20

ARTNR	BENÄMNING	FÖRP	GREPP
11320230060	KBL-ST/ST 3.0x6	500	GREPP=0.5-3.0mm
11320230080	KBL-ST/ST 3.0x8	500	GREPP=3.0-5.0mm
11320230100	KBL-ST/ST 3.0x10	500	GREPP=5.0-6.5mm
11320230120	KBL-ST/ST 3.0x12	500	GREPP=6.5-8.0mm
11320232060	KBL-ST/ST 3.2x6	500	GREPP=0.5-3.0mm
11320232080	KBL-ST/ST 3.2x8	500	GREPP=3.0-5.0mm
11320232100	KBL-ST/ST 3.2x10	500	GREPP=5.0-6.5mm
11320232120	KBL-ST/ST 3.2x12	500	GREPP=6.5-8.0mm
11320232160	KBL-ST/ST 3.2x16	500	GREPP=10.0-12.0mm
11320240060	KBL-ST/ST 4.0x6	500	GREPP=1.0-3.0mm
11320240080	KBL-ST/ST 4.0x8	500	GREPP=3.0-5.0mm
11320240100	KBL-ST/ST 4.0x10	500	GREPP=5.0-6.5mm
11320240120	KBL-ST/ST 4.0x12	500	GREPP=6.5-9.0mm
11320240140	KBL-ST/ST 4.0x14	500	GREPP=9.0-10.0mm
11320240160	KBL-ST/ST 4.0x16	500	GREPP=10.0-12.0mm
11320240180	KBL-ST/ST 4.0x18	500	GREPP=12.0-14.0mm
11320240200	KBL-ST/ST 4.0x20	500	GREPP=14.0-16.0mm
11320248060	KBL-ST/ST 4.8x6	500	GREPP=1.0-3.0mm
11320248080	KBL-ST/ST 4.8x8	500	GREPP=2.5-4.0mm
11320248100	KBL-ST/ST 4.8x10	500	GREPP=4.0-6.0mm
11320248120	KBL-ST/ST 4.8x12	500	GREPP=6.0-8.0mm
11320248140	KBL-ST/ST 4.8x14	250	GREPP=8.0-10.0mm
11320248160	KBL-ST/ST 4.8x16	250	GREPP=9.5-11.0mm
11320248180	KBL-ST/ST 4.8x18	250	GREPP=10.0-13.0mm
11320248210	KBL-ST/ST 4.8x21	250	GREPP=11.0-15.0mm
11320248240	KBL-ST/ST 4.8x24	200	GREPP=15.0-19.5mm
11320248300	KBL-ST/ST 4.8x30	200	GREPP=19.5-25.0mm
11320248350	KBL-ST/ST 4.8x35	150	GREPP=25.0-30.0mm
11320250080	KBL-ST/ST 5.0x8	500	GREPP=2.5-4.0mm
11320250100	KBL-ST/ST 5.0x10	500	GREPP=4.0-6.0mm

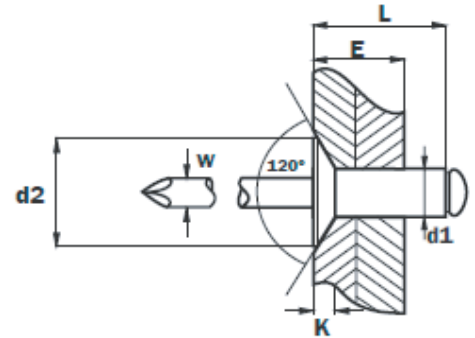
ARTNR	BENÄMNING	FÖRP	GREPP
11320250120	KBL-ST/ST 5.0x12	500	GREPP=6.0-8.0mm
11320250140	KBL-ST/ST 5.0x14	250	GREPP=8.0-9.5mm
11320250160	KBL-ST/ST 5.0x16	250	GREPP=8.0-11.0mm
11320250180	KBL-ST/ST 5.0x18	250	GREPP=10.0-13.0mm
11320250200	KBL-ST/ST 5.0x20	250	GREPP=11.0-15.0mm
11320250250	KBL-ST/ST 5.0x25	200	GREPP=15.0-19.5mm
11320250300	KBL-ST/ST 5.0x30	200	GREPP=19.5-25.0mm
11320250350	KBL-ST/ST 5.0x35	150	GREPP=25.0-30.0mm
11320250400	KBL-ST/ST 5.0x40	150	GREPP=30.0-34.0mm
11320250450	KBL-ST/ST 5.0x45	100	GREPP=34.0-39.0mm
11320250500	KBL-ST/ST 5.0x50	100	GREPP=39.0-44.0mm
11320250600	KBL-ST/ST 5.0x60	100	GREPP=44.0-54.0mm
11320260080	KBL-ST/ST 6.0x8	250	GREPP=1.5-3.0mm
11320260100	KBL-ST/ST 6.0x10	250	GREPP=3.0-4.0mm
11320260120	KBL-ST/ST 6.0x12	250	GREPP=4.0-6.0mm
11320260140	KBL-ST/ST 6.0x14	250	GREPP=6.0-8.0mm
11320260160	KBL-ST/ST 6.0x16	250	GREPP=8.0-10.0mm
11320260180	KBL-ST/ST 6.0x18	200	GREPP=10.0-12.0mm
11320260200	KBL-ST/ST 6.0x20	200	GREPP=12.0-14.0mm
11320260250	KBL-ST/ST 6.0x25	200	GREPP=14.0-19.0mm
11320260300	KBL-ST/ST 6.0x30	150	GREPP=19.0-24.0mm
11320264080	KBL-ST/ST 6.4x8	250	GREPP=1.5-3.0mm
11320264100	KBL-ST/ST 6.4x10	250	GREPP=3.0-4.0mm
11320264120	KBL-ST/ST 6.4x12	250	GREPP=4.0-6.0mm
11320264150	KBL-ST/ST 6.4x15	250	GREPP=6.0-9.0mm
11320264180	KBL-ST/ST 6.4x18	200	GREPP=9.0-11.0mm
11320264200	KBL-ST/ST 6.4x20	150	GREPP=11.0-13.0mm
11320264220	KBL-ST/ST 6.4x22	200	GREPP=13.0-16.0mm
11320264250	KBL-ST/ST 6.4x25	150	GREPP=16.0-19.0mm
11320264300	KBL-ST/ST 6.4x30	100	GREPP=19.0-24.0mm
11320264350	KBL-ST/ST 6.4x35	500	GREPP=24.0-29.0mm





FÖRSÄNKT Aluminium/Stål 120gr försänkning

d1 mm	Borrdiam mm	d2 mm	K mm	W mm	Tvärlast N	Draglast N
2.4	2.5	5.0	0.8	1.45	350	550
3.0	3.1	6.5	0.9	1.8	550	850
3.2	3.3	6.4	0.9	1.8	750	1100
4.0	4.1	7.8	1.0	2.2	1250	1800
4.8	4.9	9.5	1.8	2.65	1850	2600
5.0	5.1	9.5	1.8	2.65	2150	3100



Exkl moms. Datum 2015-08-20

ARTNR	BENÄMNING	FÖRP	GREPP
11350024060	FBL-AL/ST 2.4x6	1000	GREPP=2.0-4.0mm
11350024080	FBL-AL/ST 2.4x8	1000	GREPP=4.0-6.0mm
11350024100	FBL-AL/ST 2.4x10	1000	GREPP=6.0-8.0mm
11350030060	FBL-AL/ST 3.0x6	500	GREPP=2.0-3.5mm
11350030080	FBL-AL/ST 3.0x8	500	GREPP=3.5-5.0mm
11350030100	FBL-AL/ST 3.0x10	500	GREPP=5.0-7.0mm
11350030120	FBL-AL/ST 3.0x12	500	GREPP=7.0-9.0mm
11350030140	FBL-AL/ST 3.0x14	500	GREPP=9.0-11.0mm
11350030160	FBL-AL/ST 3.0x16	500	GREPP=11.0-13.0mm
11350032060	FBL-AL/ST 3.2x6	500	GREPP=2.0-3.5mm
11350032080	FBL-AL/ST 3.2x8	500	GREPP=3.5-5.0mm
11350032100	FBL-AL/ST 3.2x10	500	GREPP=5.0-7.0mm
11350032120	FBL-AL/ST 3.2x12	500	GREPP=7.0-9.0mm
11350032150	FBL-AL/ST 3.2x15	500	GREPP=9.0-12.0mm
11350032180	FBL-AL/ST 3.2x18	500	GREPP=12.0-15.0mm
11350040060	FBL-AL/ST 4.0x6	500	GREPP=1.5-3.0mm
11350040080	FBL-AL/ST 4.0x8	500	GREPP=3.0-5.0mm
11350040100	FBL-AL/ST 4.0x10	500	GREPP=5.0-6.5mm
11350040120	FBL-AL/ST 4.0x12	500	GREPP=6.5-8.5mm
11350040140	FBL-AL/ST 4.0x14	500	GREPP=8.5-10.5mm
11350040160	FBL-AL/ST 4.0x16	500	GREPP=10.5-12.5mm
11350040180	FBL-AL/ST 4.0x18	500	GREPP=12.5-14.5mm

ARTNR	BENÄMNING	FÖRP	GREPP
11350040200	FBL-AL/ST 4.0x20	500	GREPP=14.5-16.5mm
11350048060	FBL-AL/ST 4.8x6	500	GREPP=2.0-3.0mm
11350048080	FBL-AL/ST 4.8x8	500	GREPP=3.0-4.5mm
11350048100	FBL-AL/ST 4.8x10	500	GREPP=4.5-6.0mm
11350048120	FBL-AL/ST 4.8x12	500	GREPP=6.0-8.0mm
11350048140	FBL-AL/ST 4.8x14	500	GREPP=8.0-10.0mm
11350048160	FBL-AL/ST 4.8x16	250	GREPP=10.0-12.0mm
11350048180	FBL-AL/ST 4.8x18	250	GREPP=12.0-14.0mm
11350048210	FBL-AL/ST 4.8x21	250	GREPP=14.0-17.0mm
11350048240	FBL-AL/ST 4.8x24	200	GREPP=17.0-20.0mm
11350048270	FBL-AL/ST 4.8x27	200	GREPP=20.0-23.0mm
11350048300	FBL-AL/ST 4.8x30	200	GREPP=23.0-25.0mm
11350048350	FBL-AL/ST 4.8x35	150	GREPP=25.0-30.0mm
11350050080	FBL-AL/ST 5.0x8	500	GREPP=3.0-4.5mm
11350050100	FBL-AL/ST 5.0x10	500	GREPP=4.5-6.0mm
11350050120	FBL-AL/ST 5.0x12	500	GREPP=6.0-8.0mm
11350050140	FBL-AL/ST 5.0x14	500	GREPP=8.0-10.0mm
11350050160	FBL-AL/ST 5.0x16	500	GREPP=10.0-12.0mm
11350050180	FBL-AL/ST 5.0x18	500	GREPP=12.0-14.0mm
11350050200	FBL-AL/ST 5.0x20	250	GREPP=14.0-16.0mm
11350050250	FBL-AL/ST 5.0x25	200	GREPP=16.0-21.0mm
11350050300	FBL-AL/ST 5.0x30	200	GREPP=21.0-25.0mm

ROSTFRI

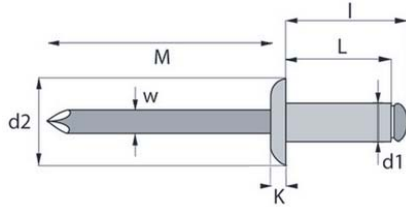
ARTNR	BENÄMNING	FÖRP	GREPP
11350432060	FBL-RF/RF 3.2x6	500	GREPP=1.5-3.0mm
11350432080	FBL-RF/RF 3.2x8	500	GREPP=3.0-5.5mm
11350432100	FBL-RF/RF 3.2x10	500	GREPP=5.5-6.5mm
11350432120	FBL-RF/RF 3.2x12	500	GREPP=6.5-8.5mm
11350440080	FBL-RF/RF 4.0x8	500	GREPP=2.5-4.5mm
11350440100	FBL-RF/RF 4.0x10	500	GREPP=4.5-6.5mm
11350440120	FBL-RF/RF 4.0x12	500	GREPP=6.5-8.5mm
11350440140	FBL-RF/RF 4.0x14	500	GREPP=8.5-10.5mm
11350448080	FBL-RF/RF 4.8x8	500	GREPP=2.5-4.0mm
11350448100	FBL-RF/RF 4.8x10	500	GREPP=4.0-6.0mm
11350448120	FBL-RF/RF 4.8x12	250	GREPP=6.0-8.0mm
11350448140	FBL-RF/RF 4.8x14	250	GREPP=8.0-10.0mm
11350448180	FBL-RF/RF 4.8x18	250	GREPP=12.0-14.0mm

d1 mm	Borrdiam mm	d2 mm	K mm	W mm	Tvärlast N	Draglast N
3.2	3.3	6.3	1.0	2.1	1900	2500
4.0	4.1	7.6	1.3	2.4	2700	3500
4.8	4.9	9.5	1.4	3.1	4000	5000





Standard ROSTFRI



d1 mm	Borrdiam mm	d2 mm	K mm	W mm	Tvärlast N	Draglast N
2.4	2.5	5	0.6	1.5	1000	1250
3.0	3.1	6	1	2	1800	2200
3.2	3.3	6.4	1	2.1	1900	2500
4.0	4.1	8	1.3	2.4	2700	3500
4.8	4.9	9	1.6	3.1	4000	5000
5.0	5.1	9	1.6	3.1	4700	5800
6.4	6.5	12.5	2.2	3.85	7000	9000

Exkl moms. Datum 2015-08-20

ARTNR	BENÄMNING	FÖRP	GREPP
11320424060	KBL-RF/RF 2.4x6	1000	GREPP=3.0-4.0mm
11320424080	KBL-RF/RF 2.4x8	1000	GREPP=5.0-6.5mm
11320424100	KBL-RF/RF 2.4x10	1000	GREPP=6.5-8.5mm
11320424120	KBL-RF/RF 2.4x12	1000	GREPP=8.4-10.5mm
11320430050	KBL-RF/RF 3.0x5	500	GREPP=0.5-2.5mm
11320430060	KBL-RF/RF 3.0x6	500	GREPP=0.5-3.0mm
11320430080	KBL-RF/RF 3.0x8	500	GREPP=3.0-5.0mm
11320430100	KBL-RF/RF 3.0x10	500	GREPP=5.0-6.5mm
11320430120	KBL-RF/RF 3.0x12	500	GREPP=6.5-8.5mm
11320430140	KBL-RF/RF 3.0x14	500	GREPP=8.5-10.5mm
11320432060	KBL-RF/RF 3.2x6	500	GREPP=0.5-3.0mm
11320432080	KBL-RF/RF 3.2x8	500	GREPP=3.0-5.0mm
11320432100	KBL-RF/RF 3.2x10	500	GREPP=5.0-6.5mm
11320432120	KBL-RF/RF 3.2x12	500	GREPP=6.5-8.5mm
11320432150	KBL-RF/RF 3.2x15	500	GREPP=8.5-12.0mm
11320432180	KBL-RF/RF 3.2x18	500	GREPP=12.0-15.0mm
11320440060	KBL-RF/RF 4.0x6	500	GREPP=1.0-2.5mm
11320440080	KBL-RF/RF 4.0x8	500	GREPP=2.5-4.5mm
11320440100	KBL-RF/RF 4.0x10	500	GREPP=4.5-6.5mm
11320440120	KBL-RF/RF 4.0x12	500	GREPP=6.5-8.5mm
11320440140	KBL-RF/RF 4.0x14	500	GREPP=8.5-10.0mm
11320440160	KBL-RF/RF 4.0x16	500	GREPP=10.0-12.0mm
11320440180	KBL-RF/RF 4.0x18	500	GREPP=12.0-14.0mm
11320440200	KBL-RF/RF 4.0x20	500	GREPP=14.0-16.0mm

ARTNR	BENÄMNING	FÖRP	GREPP
11320448080	KBL-RF/RF 4.8x8	500	GREPP=2.0-4.0mm
11320448100	KBL-RF/RF 4.8x10	500	GREPP=4.0-6.0mm
11320448120	KBL-RF/RF 4.8x12	250	GREPP=6.0-8.0mm
11320448140	KBL-RF/RF 4.8x14	250	GREPP=8.0-9.5mm
11320448160	KBL-RF/RF 4.8x16	250	GREPP=9.5-11.0mm
11320448180	KBL-RF/RF 4.8x18	250	GREPP=11.0-13.0mm
11320448200	KBL-RF/RF 4.8x20	250	GREPP=13.0-16.0mm
11320448250	KBL-RF/RF 4.8x25	200	GREPP=16.0-19.0mm
11320448300	KBL-RF/RF 4.8x30	200	GREPP=20.0-24.0mm
11320448350	KBL-RF/RF 4.8x35	150	GREPP=24.0-29.0mm
11320450080	KBL-RF/RF 5.0x8	500	GREPP=2.0-4.0mm
11320450100	KBL-RF/RF 5.0x10	500	GREPP=4.0-6.0mm
11320450120	KBL-RF/RF 5.0x12	500	GREPP=6.0-8.0mm
11320450140	KBL-RF/RF 5.0x14	250	GREPP=8.0-9.5mm
11320450160	KBL-RF/RF 5.0x16	250	GREPP=9.5-11.0mm
11320450200	KBL-RF/RF 5.0x20	250	GREPP=13.0-16.0mm
11320450250	KBL-RF/RF 5.0x25	200	GREPP=16.0-19.0mm
11320450300	KBL-RF/RF 5.0x30	200	GREPP=19.0-24.0mm
11320450350	KBL-RF/RF 5.0x35	150	GREPP=24.0-29.0mm
11320464120	KBL-RF/RF 6.4x12	250	GREPP=2.0-6.0mm
11320464150	KBL-RF/RF 6.4x15	250	GREPP=6.0-9.0mm
11320464180	KBL-RF/RF 6.4x18	200	GREPP=9.0-12.0mm
11320464200	KBL-RF/RF 6.4x20	150	GREPP=12.0-14.0mm
11320464250	KBL-RF/RF 6.4x25	150	GREPP=14.0-18.0mm

SYRAFAST

ARTNR	BENÄMNING	FÖRP	GREPP
11320732060	KBL-A4/A4 3.2x6	500	GREPP=0.5-3.0mm
11320732080	KBL-A4/A4 3.2x8	500	GREPP=3.0-5.0mm
11320732100	KBL-A4/A4 3.2x10	500	GREPP=5.0-7.5mm
11320732120	KBL-A4/A4 3.2x12	500	GREPP=6.5-8.5mm
11320732150	KBL-A4/A4 3.2x15	500	GREPP=8.5-12.0mm
11320740060	KBL-A4/A4 4.0x6	500	GREPP=1.0-2.5mm
11320740080	KBL-A4/A4 4.0x8	500	GREPP=2.5-4.5mm
11320740100	KBL-A4/A4 4.0x10	500	GREPP=4.5-6.5mm
11320740120	KBL-A4/A4 4.0x12	500	GREPP=6.5-8.5mm
11320740140	KBL-A4/A4 4.0x14	500	GREPP=8.5-10.0mm
11320740160	KBL-A4/A4 4.0x16	500	GREPP=10.0-12.0mm
11320740200	KBL-A4/A4 4.0x20	500	GREPP=12.0-16.0mm
11320748080	KBL-A4/A4 4.8x8	500	GREPP=2.0-4.0mm
11320748100	KBL-A4/A4 4.8x10	500	GREPP=4.0-6.0mm

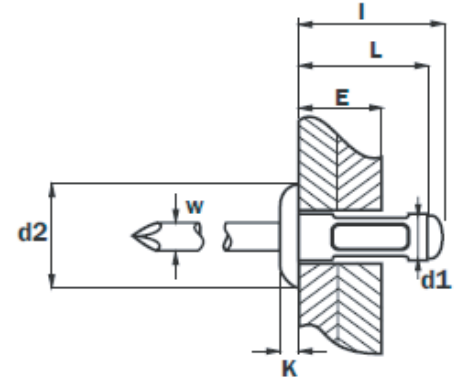
ARTNR	BENÄMNING	FÖRP	GREPP
11320748120	KBL-A4/A4 4.8x12	500	GREPP=6.0-8.0mm
11320748140	KBL-A4/A4 4.8x14	250	GREPP=8.0-9.5mm
11320748160	KBL-A4/A4 4.8x16	250	GREPP=9.5-11.0mm
11320748180	KBL-A4/A4 4.8x18	250	GREPP=11.0-13.0mm
11320748200	KBL-A4/A4 4.8x20	250	GREPP=13.0-16.0mm
11320750080	KBL-A4/A4 5.0x8	500	GREPP=2.0-4.0mm
11320750100	KBL-A4/A4 5.0x10	500	GREPP=4.0-6.0mm
11320750120	KBL-A4/A4 5.0x12	250	GREPP=6.0-8.0mm
11320750140	KBL-A4/A4 5.0x14	250	GREPP=8.0-9.5mm





MULTIGRIP Aluminium/Stål med stort greppområde

d1 mm	Borrdiam mm	d2 mm	K mm	W mm	Tvärlast N	Draglast N
3.2	3.3-3.5	6.2	1.1	1.8	630	980
4.0	4.1-4.3	8.2	1.4	2.2	1200	1600
4.8	4.9-5.1	9.9	1.8	2.75	1500	2400
6.4	6.5	13	1.8	3.6	2800	4000



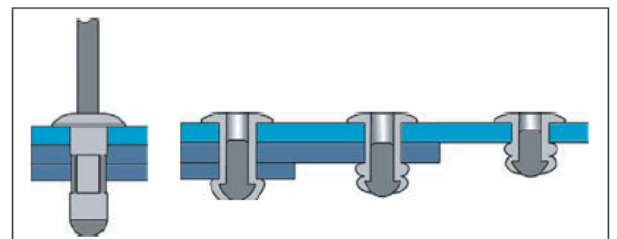
Exkl moms. Datum 2015-08-20

ARTNR	BENÄMNING	FÖRP	GREPP
11338532008	KBLMG-AL/ST 3.2x8	500	GREPP=0.5-5.0mm
11338532009	KBLMG-AL/ST 3.2x9	500	GREPP=1.0-6.5mm
11338532011	KBLMG-AL/ST 3.2x11	500	GREPP=4.0-8.0mm
11338540068	KBLMG-AL/ST 4.0x6.8	500	GREPP=0.5-3.5mm
11338540095	KBLMG-AL/ST 4.0x9.5	500	GREPP=1.0-6.0mm
11338540125	KBLMG-AL/ST 4.0x12.5	500	GREPP=4.0-9.0mm
11338540165	KBLMG-AL/ST 4.0x16.5	500	GREPP=6.0-13.0mm
11338548105	KBLMG-AL/ST 4.8x10.5	250	GREPP=1.5-6.5mm
11338548150	KBLMG-AL/ST 4.8x15	250	GREPP=4.5-11.0mm
11338548165	KBLMG-AL/ST 4.8x16.5	250	GREPP=6.5-13.0mm
11338548195	KBLMG-AL/ST 4.8x19.5	250	GREPP=8.5-16.0mm
11338548245	KBLMG-AL/ST 4.8x24.5	200	GREPP=12.5-20.0mm
11338564120	KBLMG-AL/ST 6.4x12	250	GREPP=1.0-6.0mm
11338564150	KBLMG-AL/ST 6.4x15	200	GREPP=4.0-9.0mm
11338564180	KBLMG-AL/ST 6.4x18	1000	GREPP=6.0-12.0mm

ALUMINIUM / ROSTFRI

ARTNR	BENÄMNING	FÖRP	GREPP
11338632008	KBLMG-AL/RF 3.2X8	500	GREPP=0.5-5.0mm
11338632011	KBLMG-AL/RF 3.2X11	500	GREPP=4.0-8.0mm
11338640065	KBLMG-AL/RF 4.0X6.8	500	GREPP=0.5-3.5mm
11338640095	KBLMG-AL/RF 4.0X9.5	500	GREPP=1.0-6.0mm
11338640125	KBLMG-AL/RF 4.0X12.5	500	GREPP=4.0-9.0mm
11338640165	KBLMG-AL/RF 4.0X16.5	500	GREPP=6.0-13.0mm
11338648105	KBLMG-AL/RF 4.8X10.5	250	GREPP=1.5-6.5mm
11338648150	KBLMG-AL/RF 4.8X15	250	GREPP=4.5-11.0mm
11338648165	KBLMG-AL/RF 4.8X16.5	250	GREPP=6.5-13.0mm
11338648245	KBLMG-AL/RF 4.8X24.5	200	GREPP=12.5-20.0mm

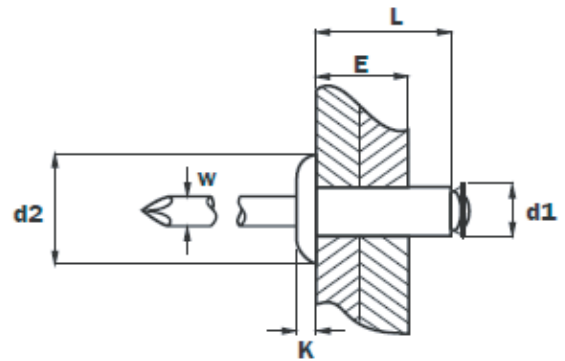
d1 mm	Borrdiam mm	d2 mm	K mm	W mm	Tvärlast N	Draglast N
3.2	3.3-3.5	6.2	1.1	1.8	650	1000
4.0	4.1-4.3	8.2	1.4	2.2	1200	1600
4.8	4.9-5.1	9.9	1.8	2.75	1500	2400





SPLITNIT Aluminium/Stål FÖR MJUKA MATERIAL

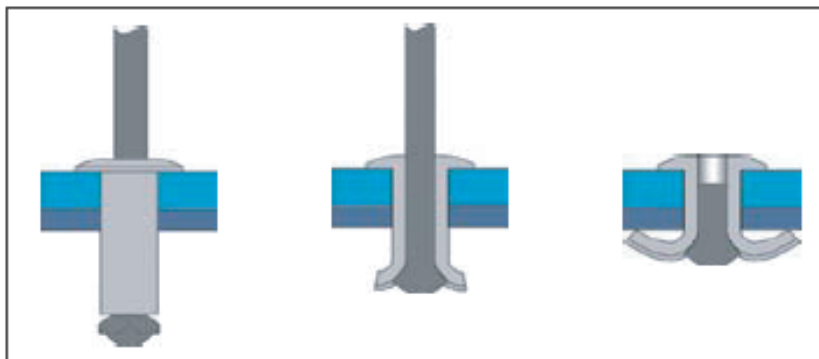
d1 mm	Borrdiam mm	d2 mm	K mm	W mm	Tvärlast N	Draglast N
3.2	3.4	6.5	0.8	1.8	880	1150
4.0	4.2	8.0	1.0	2.2	1200	1400
4.8	5.0	9.5	1.1	2.73	1600	1800
5.0	5.2	9.3	1.5	2.73	2000	2100
6.4	6.6	13	2.0	3.5	2450	3500



Exkl moms. Datum 2015-08-20

ARTNR	BENÄMNING	FÖRP	GREPP
11333232080	KBLSMEL-AL/ST 3.2x8	500	GREPP=3.5mm
11333232100	KBLSMEL-AL/ST 3.2x10	500	GREPP=5.0mm
11333232120	KBLSMEL-AL/ST 3.2x12	500	GREPP=7.0mm
11333232140	KBLSMEL-AL/ST 3.2x14	500	GREPP=9.0mm
11333232160	KBLSMEL-AL/ST 3.2x16	500	GREPP=11.0mm
11333232180	KBLSMEL-AL/ST 3.2x18	500	GREPP=13.0mm
11333240080	KBLSMEL-AL/ST 4.0x8	500	GREPP=4.0mm
11333240100	KBLSMEL-AL/ST 4.0x10	500	GREPP=6.0mm
11333240120	KBLSMEL-AL/ST 4.0x12	500	GREPP=8.0mm
11333240140	KBLSMEL-AL/ST 4.0x14	500	GREPP=10.0mm
11333240160	KBLSMEL-AL/ST 4.0x16	500	GREPP=12.0mm
11333240180	KBLSMEL-AL/ST 4.0x18	500	GREPP=14.0mm
11333240200	KBLSMEL-AL/ST 4.0x20	500	GREPP=16.0mm
11333240250	KBLSMEL-AL/ST 4.0x25	250	GREPP=21.0mm
11333248100	KBLSMEL-AL/ST 4.8x10	500	GREPP=5.0mm
11333248120	KBLSMEL-AL/ST 4.8x12	500	GREPP=7.0mm
11333248140	KBLSMEL-AL/ST 4.8x14	250	GREPP=9.0mm
11333248160	KBLSMEL-AL/ST 4.8x16	250	GREPP=11.0mm
11333248180	KBLSMEL-AL/ST 4.8x18	250	GREPP=13.0mm
11333248210	KBLSMEL-AL/ST 4.8x21	250	GREPP=16.0mm
11333248240	KBLSMEL-AL/ST 4.8x24	200	GREPP=19.0mm
11333248270	KBLSMEL-AL/ST 4.8x27	200	GREPP=22.0mm
11333248300	KBLSMEL-AL/ST 4.8x30	200	GREPP=25.0mm
11333248320	KBLSMEL-AL/ST 4.8x32	200	GREPP=27.0mm
11333248350	KBLSMEL-AL/ST 4.8x35	150	GREPP=30.0mm
11333248400	KBLSMEL-AL/ST 4.8x40	150	GREPP=32.0mm
11333248450	KBLSMEL-AL/ST 4.8x45	100	GREPP=37.0mm
11333248500	KBLSMEL-AL/ST 4.8x50	100	GREPP=42.0mm
11333250100	KBLSMEL-AL/ST 5.0x100	500	GREPP=90.0mm

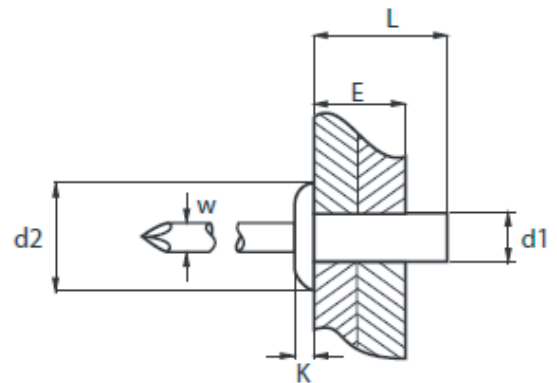
ARTNR	BENÄMNING	FÖRP	GREPP
11333250110	KBLSMEL-AL/ST 5.0x110	500	GREPP=100.0mm
11333250120	KBLSMEL-AL/ST 5.0x120	500	GREPP=110.0mm
11333250130	KBLSMEL-AL/ST 5.0x130	250	GREPP=120.0mm
11333250140	KBLSMEL-AL/ST 5.0x140	250	GREPP=130.0mm
11333250150	KBLSMEL-AL/ST 5.0x150	250	GREPP=140.0mm
11333250160	KBLSMEL-AL/ST 5.0x160	250	GREPP=150.0mm
11333250170	KBLSMEL-AL/ST 5.0x170	250	GREPP=160.0mm
11333250180	KBLSMEL-AL/ST 5.0x180	250	GREPP=170.0mm
11333250190	KBLSMEL-AL/ST 5.0x190	250	GREPP=180.0mm
11333250400	KBLSMEL-AL/ST 5.0x40	150	GREPP=32.0mm
11333250450	KBLSMEL-AL/ST 5.0x45	100	GREPP=37.0mm
11333250500	KBLSMEL-AL/ST 5.0x50	100	GREPP=42.0mm
11333250550	KBLSMEL-AL/ST 5.0x55	100	GREPP=37.0mm
11333250600	KBLSMEL-AL/ST 5.0x60	500	GREPP=52.0mm
11333250650	KBLSMEL-AL/ST 5.0x65	500	GREPP=57.0mm
11333250700	KBLSMEL-AL/ST 5.0x70	500	GREPP=62.0mm
11333250750	KBLSMEL-AL/ST 5.0x75	500	GREPP=68.0mm
11333250800	KBLSMEL-AL/ST 5.0x80	500	GREPP=72.0mm
11333250900	KBLSMEL-AL/ST 5.0x90	500	GREPP=80.0mm
11333264035	KBLSMEL-AL/ST 6.4x35	100	GREPP=25.0mm
11333264050	KBLSMEL-AL/ST 6.4x50	500	GREPP=40.0mm
11333264075	KBLSMEL-AL/ST 6.4x75	500	GREPP=65.0mm
11333264080	KBLSMEL-AL/ST 6.4x80	250	GREPP=70.0mm
11333264100	KBLSMEL-AL/ST 6.4x100	250	GREPP=90.0mm
11333264120	KBLSMEL-AL/ST 6.4x120	250	GREPP=110.0mm
11333264125	KBLSMEL-AL/ST 6.4x125	250	GREPP=115.0mm
11333264150	KBLSMEL-AL/ST 6.4x150	250	GREPP=140.0mm
11333264175	KBLSMEL-AL/ST 6.4x175	200	GREPP=165.0mm
11333264200	KBLSMEL-AL/ST 6.4x200	200	GREPP=190.0mm





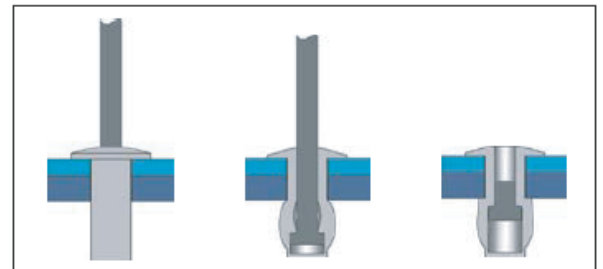
TRYCKTÄT Aluminium/Stål MED SLUTEN ÄNDE

d1 mm	Borrdiam mm	d2 mm	K mm	W mm	Tvärlast N	Draglast N
3.2	3.3	6.4	1.0	1.65	1100	1450
4.0	4.1	7.9	1.4	2.2	1600	2200
4.8	4.9	9.3	1.7	2.65	2200	3100
6.4	6.5	12.5	2.4	3.6	3600	4900



Exkl moms. Datum 2015-08-20

ARTNR	BENÄMNING	FÖRP	GREPP
11329032065	TKBL-AL/ST 3.2x6.5	500	GREPP=0.5-2.0mm
11329032080	TKBL-AL/ST 3.2x8.0	500	GREPP=2.0-3.5mm
11329032095	TKBL-AL/ST 3.2x9.5	500	GREPP=3.5-5.0mm
11329032110	TKBL-AL/ST 3.2x11	500	GREPP=5.0-6.5mm
11329032125	TKBL-AL/ST 3.2x12.5	500	GREPP=6.5-8.0mm
11329040080	TKBL-AL/ST 4.0x8	500	GREPP=0.5-3.5mm
11329040095	TKBL-AL/ST 4.0x9.5	500	GREPP=3.5-5.0mm
11329040110	TKBL-AL/ST 4.0x11	500	GREPP=5.0-6.5mm
11329040125	TKBL-AL/ST 4.0x12.5	500	GREPP=6.5-8.0mm
11329040145	TKBL-AL/ST 4.0x14.5	500	GREPP=8.0-10.0mm
11329048085	TKBL-AL/ST 4.8x8.5	500	GREPP=0.5-3.5mm
11329048095	TKBL-AL/ST 4.8x9.5	500	GREPP=3.5-5.0mm
11329048110	TKBL-AL/ST 4.8x11	500	GREPP=5.0-6.5mm
11329048130	TKBL-AL/ST 4.8x13	250	GREPP=6.5-8.0mm
11329048160	TKBL-AL/ST 4.8x16	250	GREPP=9.5-11.5mm
11329048180	TKBL-AL/ST 4.8x18	250	GREPP=11.5-13.0mm
11329048210	TKBL-AL/ST 4.8x21	250	GREPP=13.0-16.0mm
11329048250	TKBL-AL/ST 4.8x25	200	GREPP=16.0-20.0mm
11329064125	TKBL-AL/ST 6.4x12.5	250	GREPP=4.0-7.0mm
11329064155	TKBL-AL/ST 6.4x15.5	200	GREPP=7.0-10.0mm



Aluminium/Aluminium

ARTNR	BENÄMNING	FÖRP	GREPP
11329132080	TKBL-AL/AL 3.2x8	500	GREPP=0.5-2.0mm
11329132095	TKBL-AL/AL 3.2x9.5	500	GREPP=2.0-3.5mm
11329132110	TKBL-AL/AL 3.2x11	500	GREPP=3.5-5.0mm
11329140095	TKBL-AL/AL 4.0x9.5	500	GREPP=5.0-6.5mm
11329140125	TKBL-AL/AL 4.0x12.5	500	GREPP=6.5-8.0mm
11329148095	TKBL-AL/AL 4.8x9.5	500	GREPP=0.5-3.5mm
11329148115	TKBL-AL/AL 4.8x11.5	500	GREPP=3.5-5.0mm
11329148125	TKBL-AL/AL 4.8x12.5	250	GREPP=5.0-6.5mm
11329148145	TKBL-AL/AL 4.8x14.5	250	GREPP=6.5-8.0mm
11329148180	TKBL-AL/AL 4.8x18	250	GREPP=8.0-10.0mm

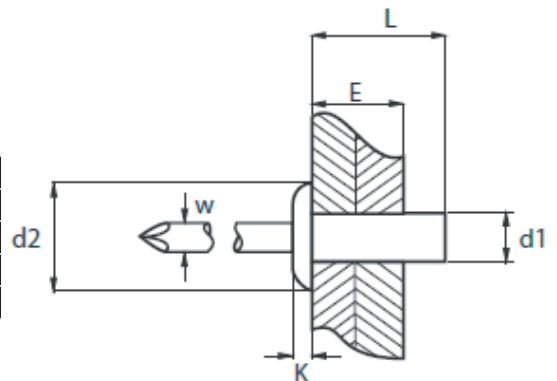
d1 mm	Borrdiam mm	d2 mm	K mm	W mm	Tvärlast N	Draglast N
3.2	3.3	6.4	1.0	1.8	460	540
4.0	4.1	7.9	1.4	2.2	720	760
4.8	4.9	9.3	1.7	2.65	1000	1400





TRYCKTÄT ROSTFRI MED SLUTEN ÄNDE

d1 mm	Borrdiam mm	d2 mm	K mm	W mm	Tvärlast N	Draglast N
3.2	3.3	6.5	1.0	1.9	2000	2200
4.0	4.1	8,2	1.4	2.3	3000	3500
4.8	4.9	9.8	1.7	2.9	4000	4400



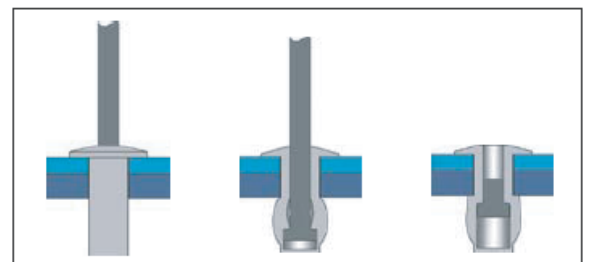
Exkl moms. Datum 2015-08-20

ARTNR	BENÄMNING	FÖRP	GREPP
11329532080	TKBL-RF/RF 3.2x8	500	GREPP=0.5-3.0mm
11329532095	TKBL-RF/RF 3.2x9.5	500	GREPP=1.0-4.5mm
11329532120	TKBL-RF/RF 3.2x12	500	GREPP=4.5-7.0mm
11329540080	TKBL-RF/RF 4.0x8	500	GREPP=0.5-3.0mm
11329540095	TKBL-RF/RF 4.0x9.5	500	GREPP=1.0-4.5mm
11329540120	TKBL-RF/RF 4.0x12	500	GREPP=4.5-6.5mm
11329540140	TKBL-RF/RF 4.0x14	500	GREPP=6.5-9.0mm
11329540160	TKBL-RF/RF 4.0x16	500	GREPP=9.0-11.0mm
11329548095	TKBL-RF/RF 4.8x9.5	500	GREPP=1.0-4.0mm
11329548120	TKBL-RF/RF 4.8x12	500	GREPP=4.0-6.0mm
11329548130	TKBL-RF/RF 4.8x13	250	GREPP=5.0-7.0mm
11329548150	TKBL-RF/RF 4.8x15	250	GREPP=5.0-9.0mm
11329548160	TKBL-RF/RF 4.8x16	250	GREPP=6.0-10.0mm
11329548170	TKBL-RF/RF 4.8x17	250	GREPP=10.0-12.0mm
11329548180	TKBL-RF/RF 4.8x18	250	GREPP=11.0-13.0mm

ALUMINIUM/ROSTFRI

ARTNR	BENÄMNING	FÖRP	GREPP
11329232065	TKBL-AL/RF 3.2x6.5	500	GREPP=0.5-2.0mm
11329232080	TKBL-AL/RF 3.2x8	500	GREPP=2.0-3.5mm
11329232095	TKBL-AL/RF 3.2x9.5	500	GREPP=3.5-5.0mm
11329232125	TKBL-AL/RF 3.2x12.5	500	GREPP=6.5-8.0mm
11329240080	TKBL-AL/RF 4.0x8.0	500	GREPP=0.5-3.5mm
11329240095	TKBL-AL/RF 4.0x9.5	500	GREPP=3.5-5.0mm
11329240110	TKBL-AL/RF 4.0x11	500	GREPP=5.0-6.5mm
11329240125	TKBL-AL/RF 4.0x12.5	500	GREPP=6.5-8.0mm
11329248080	TKBL-AL/RF 4.8x8	500	GREPP=0.5-3.5mm
11329248095	TKBL-AL/RF 4.8x9.5	500	GREPP=3.5-5.0mm
11329248110	TKBL-AL/RF 4.8x11	500	GREPP=5.0-6.5mm
11329248130	TKBL-AL/RF 4.8x13	250	GREPP=6.5-8.0mm
11329248145	TKBL-AL/RF 4.8x14.5	250	GREPP=8.0-9.5mm
11329248160	TKBL-AL/RF 4.8x16	250	GREPP=9.5-11.0mm
11329248180	TKBL-AL/RF 4.8x18	250	GREPP=11.0-13.0mm
11329248210	TKBL-AL/RF 4.8x21	250	GREPP=13.0-16.0mm
11329248250	TKBL-AL/RF 4.8x25	200	GREPP=16.0-20.0mm

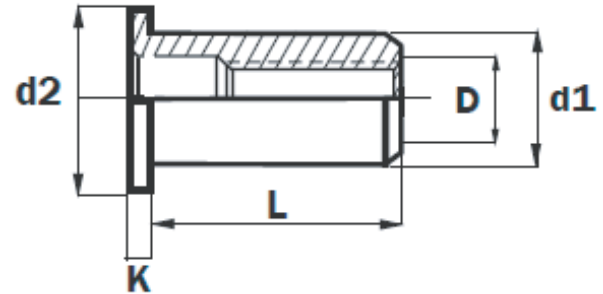
d1 mm	Borrdiam mm	d2 mm	K mm	W mm	Tvärlast N	Draglast N
3.2	3.3	6.4	1.0	1.7	1100	1450
4.0	4.1	7.9	1.4	2.2	1600	2200
4.8	4.9	9.3	1.7	2.65	2200	3100





NITMUTTER STÅL FZB RUND, ÖPPEN ÄNDE

D	Ytterdiam	Huvuddiam	K	Montage	Draglast	Vridmoment max
M	mm	mm	mm	kraft N	N	Nm
M4	5.9	9.0	1.0	4400	7900	3
M5	6.9	10.0	1.0	5300	9800	4,8
M6	8.9	13.0	1.5	6500	19100	12
M8	10.9	16.0	1.5	8350	29800	23
M10	11.9	16.0	1.7	12000	34000	30
M12	15.9	23.0	2.0	18000	57800	54



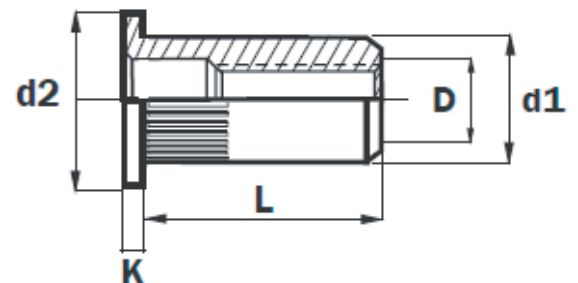
Exkl moms. Datum 2015-08-20

ARTNR	BENÄMNING	FÖRP	GREPP
1137010410	PBMÖS M4x9.5 FZB	500	GREPP=0.25-3.0mm
1137010412	PBMÖS M4x12.25 FZB LÅNG	500	GREPP=3.0-4.5mm
1137010512	PBMÖS M5x12 FZB	500	GREPP=0.25-3.0mm
1137010515	PBMÖS M5x15 FZB LÅNG	500	GREPP=3.0-5.5mm
1137010518	PBMÖS M5x18 FZB LÅNG	500	GREPP=5.5-8.0mm
1137010615	PBMÖS M6x14.5 FZB	250	GREPP=0.5-3.0mm
1137010617	PBMÖS M6x16.5 FZB LÅNG	250	GREPP=3.0-5.5mm
1137010619	PBMÖS M6x19 FZB LÅNG	250	GREPP=5.5-8.0mm
1137010817	PBMÖS M8x16.5 FZB	250	GREPP=0.5-3.0mm
1137010819	PBMÖS M8x18.5 FZB LÅNG	200	GREPP=3.0-5.5mm
1137010823	PBMÖS M8x22.5 FZB LÅNG	150	GREPP=5.5-8.0mm
1137011018	PBMÖS M10x17.5 FZB	150	GREPP=1.0-3.5mm
1137011023	PBMÖS M10x27 FZB	500	GREPP=5.5-8.0mm
1137011225	PBMÖS M12x25 FZB	500	GREPP=1.0-4.0mm

RUND, LÄTTRAD STAM, ÖPPEN ÄNDE

ARTNR	BENÄMNING	FÖRP	GREPP
1138510310	PBMÖRS M3x9.75 FZB	500	GREPP=0.25-2.0mm
1138510410	PBMÖRS M4x9.5 FZG	500	GREPP=0.25-3.0mm
1138510412	PBMÖRS M4x12.25 FZG LÅNG	500	GREPP=3.0-4.5mm
1138510512	PBMÖRS M5x12 FZG	500	GREPP=0.25-3.0mm
1138510515	PBMÖRS M5x15 FZG LÅNG	500	GREPP=3.0-5.5mm
113851060	PBMÖRS M6 FZB	250	GREPP=0.5-2.0mm
1138510615	PBMÖRS M6x14.5 FZG	250	GREPP=1.0-3.0mm
1138510617	PBMÖRS M6x16.5 FZG LÅNG	250	GREPP=3.0-5.5mm
1138510817	PBMÖRS M8x16.5 FZG	250	GREPP=0.5-3.0mm
1138510819	PBMÖRS M8x18.5 FZG LÅNG	200	GREPP=3.0-5.5mm
113851100	PBMÖRS M10 FZB	1000	GREPP=2.0-4.0mm
1138511020	PBMÖRS M10x19.5 FZG	150	GREPP=0.5-3.5mm
1138511022	PBMÖRS M10x21.5 FZG LÅNG	100	GREPP=3.5-6.0mm
1138511225	PBMÖRS M12x25 FZG	500	GREPP=1.0-4.0mm

D	Ytterdiam	Huvuddiam	K	Montage	Draglast	Vridmoment max
M	mm	mm	mm	kraft N	N	Nm
M3	4.9	7.5	1.0	2400	4100	2.2
M4	5.9	9.0	1.0	3900	7900	4.5
M5	6.9	10.0	1.0	5800	9800	5.8
M6	8.9	13.0	1.5	7100	18500	18.0
M8	10.9	16.0	1.5	8400	29800	34.5
M10	12.9	19.0	1.7	11000	43300	60.0
M12	15.9	23.0	2.0	14700	47700	161.5





SWEBOLT AB

Skruvartiklar för varje ändamål !

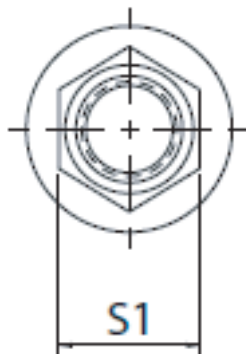
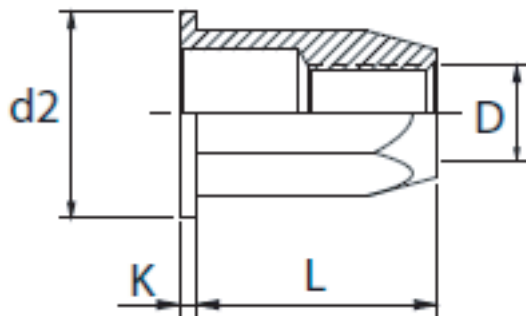
Järfälla 08 - 555 975 00 info@swebolt.se
Tranås 0140 - 36 23 00 tranas@swebolt.se
www.SWEBOLT.se

NITMUTTER STÅL FZB SEXKANT, ÖPPEN ÄNDE

D M	Nyckelvidd mm	Huvuddiam mm	Plätens hål mm	K mm	Fästkraft N	Draglast N	Vridmoment max Nm
M4	5.9	9	6.1	1.0	3400	7900	4.8
M5	6.9	10	7.1	1.0	4900	9800	6.5
M6	8.9	13	9.1	1.5	7100	19100	22
M8	10.9	16	11.1	1.5	9600	29800	40
M10	12.9	19	13.1	2.0	12600	43000	88
M12	16.0	23	16.1	2.0	17200	57800	115

ARTNR	BENÄMNING	FÖRP	GREPP
1139010410	P6BMÖS M4x10 FZB	500	GREPP=0.25-2.00mm
1139010513	P6BMÖS M5x13 FZB	500	GREPP=0.5-3.0mm
1139010615	P6BMÖS M6x14.5 FZB	250	GREPP=0.5-3.0mm
1139010817	P6BMÖS M8x16.5 FZB	250	GREPP=0.5-3.0mm
1139010820	P6BMÖS M8x19.5 FZB	200	GREPP=3.0-7.0mm
1139011021	P6BMÖS M10x21 FZB	150	GREPP=1.0-3.5mm
1139011225	P6BMÖS M12x25 FZB	500	GREPP=1.0-4.0mm

Exkl moms. Datum 2015-08-20



SB Technical products

SWEBOLT - BOTNIA BOLT

★★★★★
HÖGSTA KREDITVÄRDIGHET
Swebolt Järfälla Aktieföretag
© CREDITSAFE | 2014-03-14

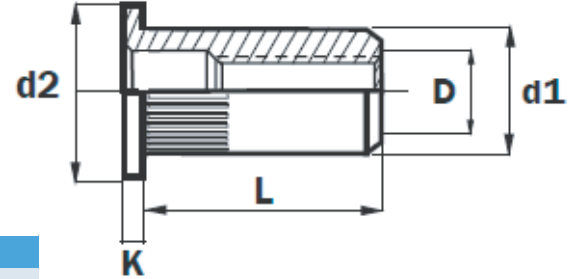
AAA®
Högsta kreditvärdighet

NORDCERT
Certifierad EN 1090-1



NITMUTTER ROSTFRI RUND, LÄTTRAD STAM, ÖPPEN ÄNDE

D M	Ytterdiam mm	Huvuddiam mm	K mm	Montage kraft N	Draglast N	Vridmoment max Nm
M4	5.9	9.0	1.0	5600	9100	6.4
M5	6.9	10.0	1.0	6800	15800	8.4
M6	8.9	13.0	1.5	9000	23800	26.7
M8	10.9	16.0	1.5	10600	40600	62.5
M10	12.9	17.0	2.0	11300	49000	111.7

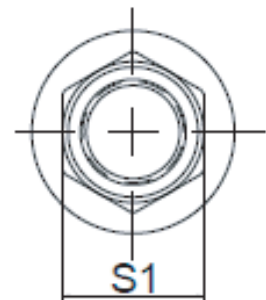
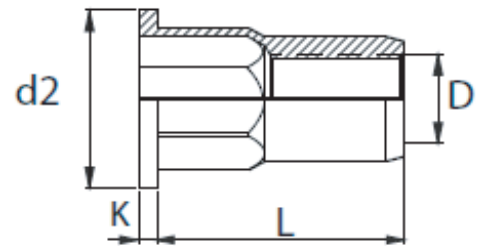


ARTNR	BENÄMNING	FÖRP	GREPP
2137300410	PBMÖRS M4x10 A2	500	GREPP=0.5-2.0mm
2137300512	PBMÖRS M5x12 A2	500	GREPP=0.5-3.0mm
2137300614	PBMÖRS M6x14.5 A2	250	GREPP=0.5-3.0mm
2137300816	PBMÖRS M8x16 A2	250	GREPP=0.5-3.0mm
2137300818	PBMÖRS M8x18.5 A2 LÅNG	200	GREPP=3.0-5.5mm
2137301019	PBMÖRS M10x19 A2	150	GREPP=1.0-3.5mm

Exkl moms. Datum 2015-08-20

NITMUTTER ROSTFRI SEKKANT, LÄTTRAD STAM, ÖPPEN ÄNDE

D M	Nyckelvidd mm	Huvuddiam mm	Plätens hål sexkant mm	K mm	Montage kraft N	Draglast N	Vridmoment max Nm
M5	6.9	10.0	7.1	1.5	3300	13200	9.1
M6	8.9	12.0	9.1	1.5	7700	21600	19.7
M8	10.9	15.0	11.1	1.5	11200	31000	26.5



ARTNR	BENÄMNING	FÖRP	GREPP
2139010512	P6BMÖS M5x12 A2	500	GREPP=0.50-3.00mm
2139010614	P6BMÖS M6x14 A2	250	GREPP=0.50-3.00mm
2139010816	P6BMÖS M8x16 A2	250	GREPP=0.50-3.00mm





SWEBOLT AB

Skruvartiklar för varje ändamål !

Järfälla 08 - 555 975 00 info@swebolt.se
Tranås 0140 - 36 23 00 tranas@swebolt.se
www.SWEBOLT.se

Det finns även ett större sortiment med höghållfasta konstruktionsnitar.

Hard Lock

Aluminium
Stål
Rostfritt



Hard Grip

Stål
Rostfritt



Exkl moms. Datum 2015-08-20

Nitmutter i andra modeller och storlekar.

Reduserad nitmutter

Aluminium
Stål
Rostfritt



Andra material

Koppar
Brons



SB Technical products

SWEBOLT - BOTNIA BOLT

★★★★★
HÖGSTA KREDITVÄRDIGHET
Swebolt Järfälla Aktiebolag
© CREDITSAFE | 2014-03-14

AAA[®]
Högsta kreditvärdighet

NORDCERT
Certifierad EN 1090-1



SWEBOLT AB

Skruvartiklar för varje ändamål !

Järfälla 08 - 555 975 00 info@swebolt.se
Tranås 0140 - 36 23 00 tranas@swebolt.se
www.SWEBOLT.se

I detta blad presenteras delar av sortimentet. Den totala bredden finns på våran ehandel, www.swebolt.se/store eller via din säljare.

Kontakta oss för mera information!

Exkl moms. Datum 2015-08-20



SB Technical products

SWEBOLT - BOTNIA BOLT

★★★★★
HÖGSTA KREDITVÄRDIGHET
Swebolt Järfälla Aktiebolag
© CREDITSAFE | 2014-03-14

AAA[®]
Högsta kreditvärdighet

NORDCERT
Certifierad EN 1090-1



SWEBOLT AB

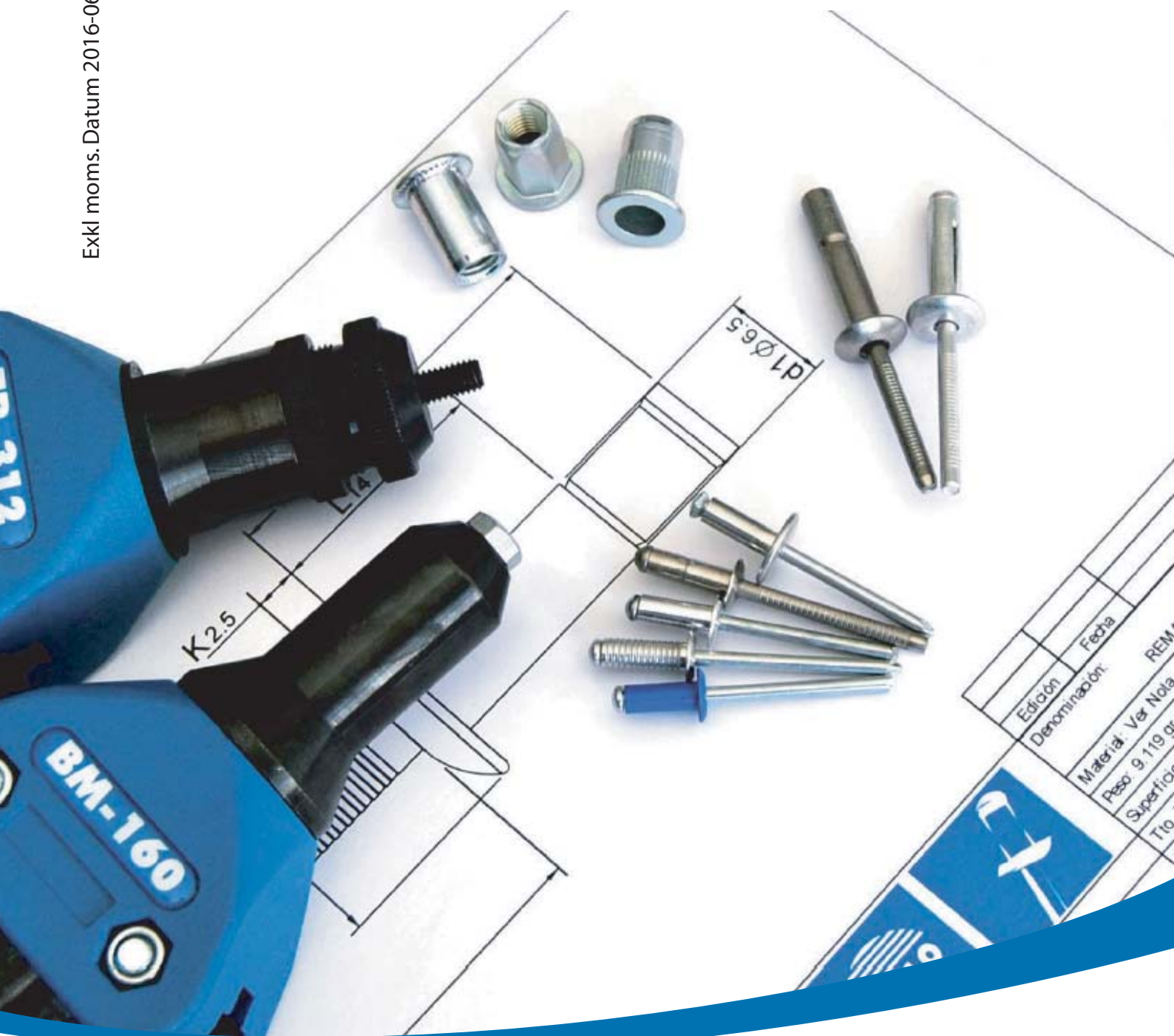
Skruvartiklar för varje ändamål !

Järfälla 08 - 555 975 00 info@swebolt.se
Tranås 0140 - 36 23 00 tranas@swebolt.se
Norrköping 011-450 74 00 norrkoping@swebolt.se
www.SWEBOLT.se

Nitverktyg för blindnit och nitmutter

Ett brett sortiment med bra produkter från BRALO.

Exkl moms. Datum 2016-06-27



SB Technical products

SWEBOLT - BOTNIA BOLT

★★★★★
HÖGSTA KREDITVÄRDIGHET
Swebolt Järfälla Aktieföretag
© CREDITSAFE | 2014-03-14

AAA[®]
Högsta kreditvärdighet

NORDCERT
Certifierad EN 1090-1



SWEBOLT AB

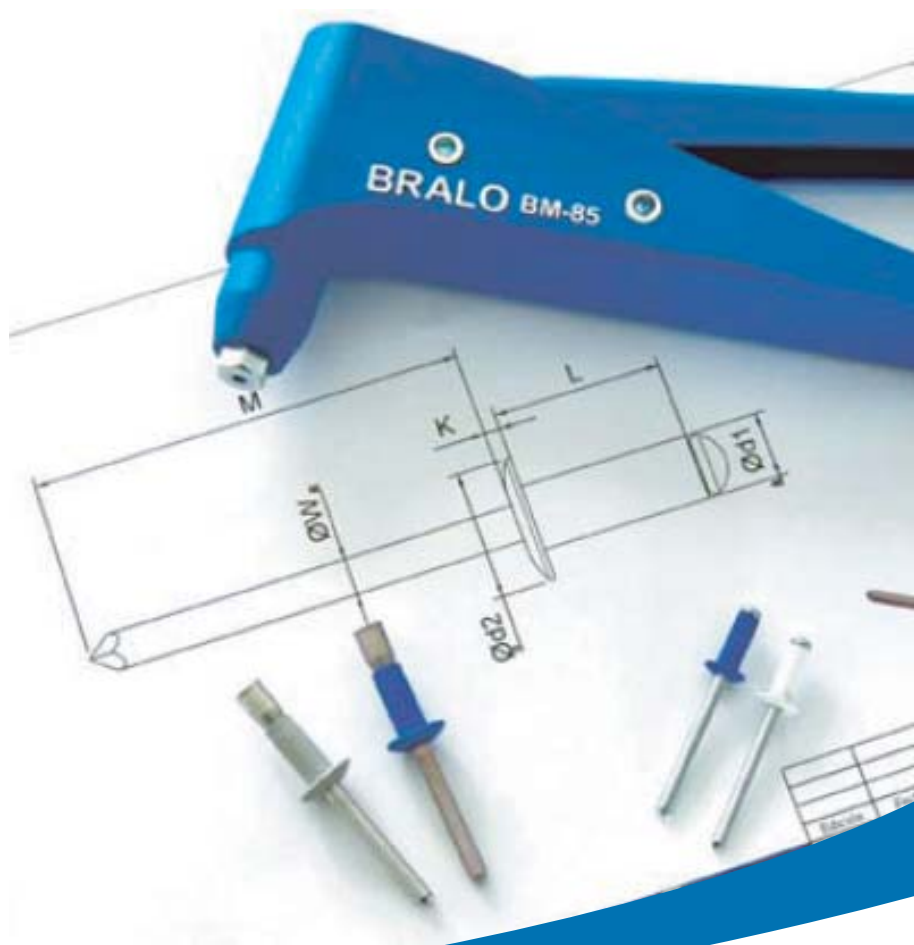
Skruvartiklar för varje ändamål !

Järfälla 08 - 555 975 00 info@swebolt.se
Tranås 0140 - 36 23 00 tranas@swebolt.se
Norrköping 011-450 74 00 norrkoping@swebolt.se
www.SWEBOLT.se

Klassiska nittänger

Handverktyg och batteriverktyg för blindnit och nitmutter.

Exkl moms. Datum 2016-06-27



SB Technical products

SWEBOLT - BOTNIA BOLT

★★★★★
HÖGSTA KREDITVÄRDIGHET
Swebolt Järfälla Aktieföretag
© CREDITSAFE | 2014-03-14

AAA[®]
Högsta kreditvärdighet

NORDCERT
Certifierad EN 1090-1



SWEBOLT AB

Skruvartiklar för varje ändamål !

Järfälla 08 - 555 975 00 info@swebolt.se
Tranås 0140 - 36 23 00 tranas@swebolt.se
Norrköping 011-450 74 00 norrkoping@swebolt.se
www.SWEBOLT.se

Klassiska nittänger

Handverktyg för manuell användning.

Exkl moms. Datum 2016-06-27

BM-75

För enklare användning i mindre serier.

Passar nitar: 2.4-5.0mm

Slaglängd: 6mm

Längd: 265mm

Artikel: 11395001



Enkel
standardtång

RIVET Ø m/m	MATERIAL			
	Aluminium	Steel	Inox	Copper
2,4	✓		✓	
3,0 - 3,2	✓	✓	✓	✓
4,0	✓	✓	✓	✓
4,8 - 5,0	✓			

BM-85

För enklare användning i mindre serier. Med utväxling för att lättare montera niten.

Passar nitar: 2.4-5.0mm

Slaglängd: 6mm

Längd: 265mm

Artikel: 11395002



Med
utväxling

RIVET Ø m/m	MATERIAL			
	Aluminium	Steel	Inox	Copper
2,4	✓		✓	
3,0 - 3,2	✓	✓	✓	✓
4,0	✓	✓	✓	✓
4,8 - 5,0	✓			



SB Technical products

SWEBOLT - BOTNIA BOLT

★★★★★
HÖGSTA KREDITVÄRDIGHET
Swebolt Järfälla Aktieföretag
© CREDITSAFE | 2014-03-14

AAA®
Högsta kreditvärdighet

NORDCERT
Certifierad EN 1090-1



SWEBOLT AB

Skruvartiklar för varje ändamål !

Järfälla 08 - 555 975 00 info@swebolt.se
Tranås 0140 - 36 23 00 tranas@swebolt.se
Norrköping 011-450 74 00 norrkoping@swebolt.se
www.SWEBOLT.se

Klassiska nittänger

Handverktyg för manuell användning.

Exkl moms. Datum 2016-06-27

BM-160

Kraftfull handtång med utväxling för montering av även grövre nitar. Korta hävarmar ger ett kompakt, ergonomiskt och smidigt arbetssätt.

Vikt: 1360 g

Längd: 390mm

Slaglängd: 10,5mm

Artikel: 11395005



RIVET Ø m/m	MATERIALS			
	Aluminium	Steel	Inox	Copper
3,0 - 3,2	✓	✓	✓	✓
4,0	✓	✓	✓	✓
4,8	✓	✓	✓	✓
4,8 Structural	*	*	*	
5,0	✓	✓	✓	
6,0	✓			
5,2 S- Trebol	*			
6,4 S-Trebol	**			

* Kräver speciell nos som levereras som tillbehör.

** Kräver speciell nos och käftar som levereras som tillbehör.



SB Technical products

SWEBOLT - BOTNIA BOLT

★★★★★
HÖGSTA KREDITVÄRDIGHET
Swebolt Järfälla Aktiebolag
© CREDITSAFE | 2014-03-14

AAA®
Högsta kreditvärdighet

NORDCERT
Certifierad EN 1090-1



SWEBOLT AB

Skruvartiklar för varje ändamål !

Järfälla 08 - 555 975 00 info@swebolt.se
Tranås 0140 - 36 23 00 tranas@swebolt.se
Norrköping 011-450 74 00 norrkoping@swebolt.se
www.SWEBOLT.se

Klassiska nittänger

Handverktyg för manuell användning.

Exkl moms. Datum 2016-06-27

BM-164

Kraftfull handtång med utväxling för montering av även grövre nitar. Korta hävarmar ger ett kompakt, ergonomiskt och smidigt arbetssätt.

Vikt: 1420 g

Längd: 405mm

Slaglängd: 10,5mm

Artikel: 11395006

RIVET Ø m/m	MATERIALS			
	Aluminium	Steel	Inox	Copper
4,8	✓	✓	✓	✓
5,0	✓	✓	✓	✓
6,0	✓	✓	✓	
6,4	✓	✓	✓	
6,5 Structural	**	**	**	
5,2 S-Trebol	*			
6,4 S-Trebol	*			
7,7 S-Trebol	**			

* Kräver speciell nos som levereras som tillbehör.

** Kräver speciell nos och käftar som levereras som tillbehör.



SB Technical products

SWEBOLT - BOTNIA BOLT

★★★★★
HÖGSTA KREDITVÄRDIGHET
Swebolt Järfälla Aktiebolag
© CREDITSAFE | 2014-03-14

AAA®
Högsta kreditvärdighet

NORDCERT
Certifierad EN 1090-1



SWEBOLT AB

Skruvartiklar för varje ändamål !

Järfälla 08 - 555 975 00 info@swebolt.se
Tranås 0140 - 36 23 00 tranas@swebolt.se
Norrköping 011-450 74 00 norrkoping@swebolt.se
www.SWEBOLT.se

Batteriverktyg

Batteriverktyg för snabbt och enkelt montage av blindnit.

BET-1 & BET-2

Krafftulla batteriverktyg för pålitligt och smidigt montage.

Exkl moms. Datum 2016-06-27



Artikelnummer

BET-1 Artikel: 53002BET1010

BET-2 Artikel: 53002BET2010

Batteri 1,4Ah Artikel: 53005BET100018

Batteri 2,8Ah Artikel: 53005BET100019

Laddare Artikel: 5305BET000020



SB Technical products

SWEBOLT - BOTNIA BOLT



HÖGSTA KREDITVÄRDIGHET
Swebolt Järfälla Aktiebolag
© CREDITSAFE | 2014-03-14



Högsta kreditvärdighet



Certifierad EN 1090-1



Batteriverktyg

Batteriverktyg för snabbt och enkelt montage av blindnit.

Exkl moms. Datum 2016-06-27

BET-1

RIVET Ø m/m	MATERIALS			
	Aluminium	Steel	Inox	Copper
2,4	✓	✓	✓	✓
3,0 - 3,2	✓	✓	✓	✓
4,0	✓	✓	✓	✓
4,8 - 5,0	✓	✓	✓	✓

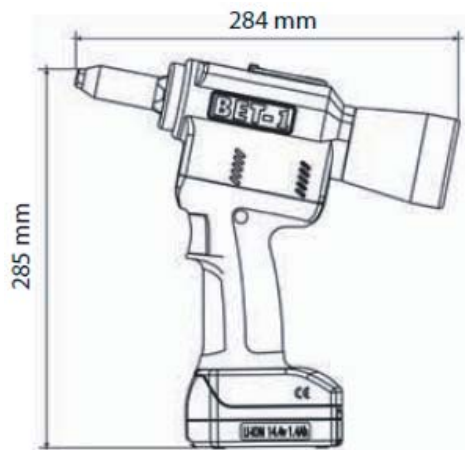
Vikt: 1690 g

Nitkapacitet 2,4-5,0mm

Dragkraft 10000N

Batteri 14,4V / 1,4Ah

Levereras med 1 x batteri
+ 1 x laddare.



BET-2

RIVET Ø m/m	MATERIALS		
	Aluminium	Steel	Inox
4,8 - 5,0	✓	✓	✓
6,0 - 6,4	✓	✓	✓
4,8 - 6,0 Hardgrip	✓	✓	✓
6,4 Hardlock	✓	✓	✓
4,8 Structural	✓	✓	✓
6,5 Structural	✓	✓	✓
5,2 - 6,4 S-Trebol	*		
7,7 S-Trebol	**		

* Kräver speciell nos som levereras som separat tillbehör.

** Kräver speciell nos och andra delar som levereras som tillbehör.

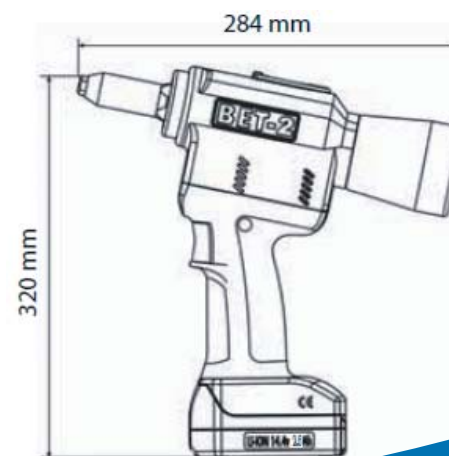
Vikt: 1690 g

Nitkapacitet 2,4-7,7mm

Dragkraft 18000N

Batteri 14,4V / 2,8Ah

Levereras med 1 x batteri
+ 1 x laddare.





Nitmutterverktyg

Handverktyg för montering av nitmutter.

Exkl moms. Datum 2016-06-27

T-105

Enklare nitmuttertång för montering av M3 till M6.

Vikt: 670g

Längd: 265mm

Slaglängd 7mm

Artikel: 53002TR01050



INSERT NUT Ø	MATERIALS			
	Aluminium	Steel	Inox	Brass
M-3	✓	✓	✓	✓
M-4	✓	✓	✓	✓
M-5	✓	✓	✓	✓
M-6	✓	✓		

T-308

Kraftfull nitmuttertång för montering av M3 till M8. Korta armar med utväxling för säkert och ergonomiskt montage.

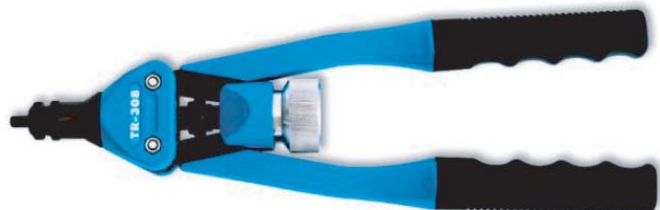
Vikt: 1470 g

Längd: 390mm

Slaglängd: 7mm

Artikel: 53002TR03080

INSERT NUT Ø m/m	MATERIALS			
	Aluminium	Steel	Inox	Brass
M-3	✓	✓	✓	✓
M-4	✓	✓	✓	✓
M-5	✓	✓	✓	✓
M-6	✓	✓	✓	✓
M-8	✓	✓	✓	✓



T-312

Kraftfull nitmuttertång för montering av M6 till M12.

Vikt: 1510 g

Längd: 390mm

Slaglängd: 7mm

Artikel: 53002TR03120

INSERT NUT Ø m/m	MATERIALS			
	Aluminium	Steel	Inox	Brass
M-6	✓	✓	✓	✓
M-8	✓	✓	✓	✓
M-10	✓	✓	✓	✓
M-12	✓	✓		

